

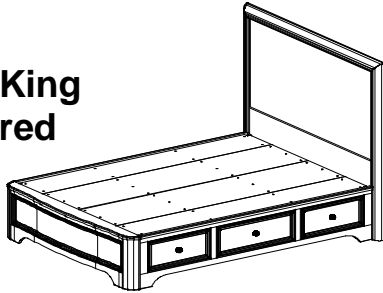
# Stonewood Manor Upholstered Beds

RGB = Rustic Glazed Brown finish

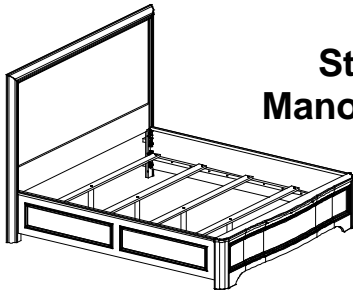
Assembly Instructions

Model #

## 5618RGB Stonewood Cal-King Manor Upholstered Storage Bed



## 5643RGB Stonewood Cal-King Manor Upholstered Bed



*Thank you for allowing us to help you furnish your home. We are certain you will be delighted with your new furniture for many years to come.*

### IMPORTANT NOTES:

- For normal household use only. *Not* recommended for commercial use.
- Remove items before you move this unit.
- Do not overload the drawers.
- This assembly requires two people.

### WARNING

Drilling, sawing, sanding or machining wood products can expose you to wood dust, a substance known to the state of California to cause cancer. Avoid inhaling wood dust or use a dust mask or other safeguards for personal protection.

For more information go to: [www.p65warnings.ca.gov/wood](http://www.p65warnings.ca.gov/wood)

This product can expose you to chemicals, including formaldehyde, which are known to the State of California to cause cancer.

For more information go to: [www.p65warnings.ca.gov/furniture](http://www.p65warnings.ca.gov/furniture)

**DESIGN SUBJECT TO CHANGE WITHOUT NOTICE.**

## CUSTOMER SERVICE

If you ever have questions about your furniture, please do not hesitate to contact us. In the unlikely event you need a replacement part; we can make those parts available through an authorized Whittier Wood Furniture dealer. If you cannot order replacement parts through your dealer, please contact our customer service department.

**Hours:** Our friendly customer service staff can be reached:

**Monday-Friday 8:00 a.m. to 5:00 p.m. (Pacific Time).**

You may leave a message 24 hours a day, seven days a week.

**Customer Service:** 800-653-3336 • **Outside the U.S.:** 541-687-0213

**Fax:** 541-687-2060 • **Email:** [info@whittierwood.com](mailto:info@whittierwood.com)

**Whittier  
Wood**  
FURNITURE

P.O. Box 2827  
Eugene, OR 97402 USA

Production Code:

VN

06/16

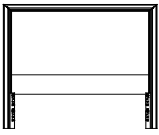



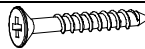




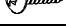
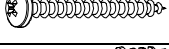



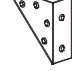
**5618RGB Stonewood Cal-King Manor Upholstered Storage Bed;  
5643RGB Stonewood Cal-King Manor Upholstered Bed**

*Parts List*

**Please note this Assembly Instruction is for Stonewood Cal-King Manor Upholstered Storage Bed (#5618), and Stonewood Cal-King Manor Upholstered Rail Bed (#5643).  
The Parts Lists for each component follow.**

Please identify the parts and check that the quantities received match those on this list. If you need to replace a part, refer to the model number, part letter and name.

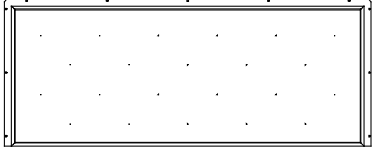


**5626RGB  
Cal-King Headboard/Footboard Kit (x1)**

Part	Description		Quantity
A	Headboard Assembly		1
B	Footboard Assembly		1
O	#8 x 1-1/4" Black Screw (inserted)		4
P	#8 x 1-5/8" Black Screw (inserted)		5
R	#8 x 1" Black Screw (inserted)		32
U	1/4" Flat Washer		16
V	1/4" T-Nut (inserted)		8
ZB	Left Bed Bracket (attached)		4
ZC	Right Bed Bracket (attached)		4
ZF	#6 x 5/8" Philtruss Screw (inserted)		24
ZG	#8 x 1-1/4" Pan Head Screw (inserted)		10
ZP	1/4" x 13.5mm Insert Nut (inserted)		16
ZQ	1/4" x 1" Hex Bolt		16
ZU	#5 x 5/8" Flat Head Screw (inserted)		16
ZV	Triangle Bracket (attached)		2

**5618RGB Stonewood Cal-King Manor Upholstered Storage Bed;  
5643RGB Stonewood Cal-King Manor Upholstered Bed**  
*Parts List*

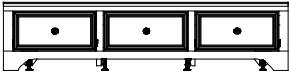
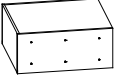
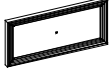
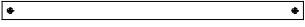


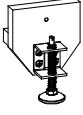
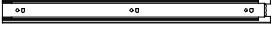



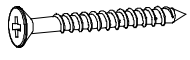

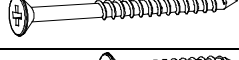

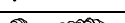







---

**5668UWT Stonewood Cal-King Manor Insert  
– Woven Taupe (x1)**

Part	Description	Quantity
ZR	Upholstered Headboard Insert 	1
ZS	Back Support Assembly (attached) 	1
ZT	#8 x 1-1/8" Lo-Profile Screw (inserted) 	5

**5618RGB Stonewood Cal-King Manor Upholstered Storage Bed;  
5643RGB Stonewood Cal-King Manor Upholstered Bed**  
*Parts List*

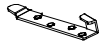
## 1735RGBa Pedestal Kit (x2)

Part	Description		Quantity
Da	Pedestal		1
E	Drawer Box (assembled)		3
Fa	Drawer Face (attached)		3
G	Trestle with T-Nuts (36-1/4")		2
H	Center Deckboard		1
I	Notched Deckboard (attached)		1
J	Assembled Foot (attached)		2
K	Drawer Slides (pre-installed sets)		3
L	#6 x 3/4" Philtruss Screw (inserted)		18
M	#6 x 1/2" Philtruss Screw (inserted)		18
N	#8 x 7/8" Black Lo-Profile Screw (inserted)		18
O	#8 x 1-1/4" Black Screw		26 (18 inserted)
P	#8 x 1-5/8" Black Screw (inserted)		16
Q	#8 x 2" Black Screw (inserted)		12
R	#8 x 1" Black Screw (inserted)		36
S	#8 x 1-1/2" Machine Screw Tuscan (installed)		3
T	#10 x 3/4" Pan Head Screw (inserted)		16
U	1/4" Flat Washer		4
V	1/4" T-Nut (inserted)		8
X	1/4" x 1-1/2" Hex Bolt		4
Y	Knob (attached)		3
ZA	Knob Plate (attached)		3
ZB	Left Bed Bracket (attached)		2






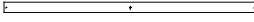





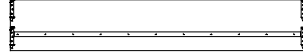
**5618RGB Stonewood Cal-King Manor Upholstered Storage Bed;  
5643RGB Stonewood Cal-King Manor Upholstered Bed**  
*Parts List*

---

**1735RGBa Pedestal Kit (x2)\_Cont.**

<b>Part</b>	<b>Description</b>	<b>Quantity</b>
ZC	Right Bed Bracket (attached) 	2
ZD	Foot Bracket (attached) 	4
ZE	Adjustable Glide (installed) 	4

**1754RGBa Cal-King Rail Kit (x1)**

<b>Part</b>	<b>Description</b>	<b>Quantity</b>
O	#8 x 1-1/4" Black Screw 	10
P	#8 x 1-5/8" Black Screw (inserted) 	22
V	1/4" T-Nut (inserted) 	5
ZB	Left Bed Bracket (attached) 	4
ZC	Right Bed Bracket (attached) 	4
ZI	Slat 	5
ZJ	Assembled Foot 	5
ZK	#6 x 3/4" Flat Head Screw (inserted) 	32
ZL	Adjustable Glide with Hex Nut (installed) 	5
ZM	5/16" x 3/4" Insert Nut (inserted) 	5
ZN	1/4" x 45mm Hanger Bolt (inserted) 	5
ZO	Side Rail 	2

# 5618RGB Stonewood Cal-King Manor Upholstered Storage Bed; 5643RGB Stonewood Cal-King Manor Upholstered Bed

## Assembly Instructions

This assembly requires two people.

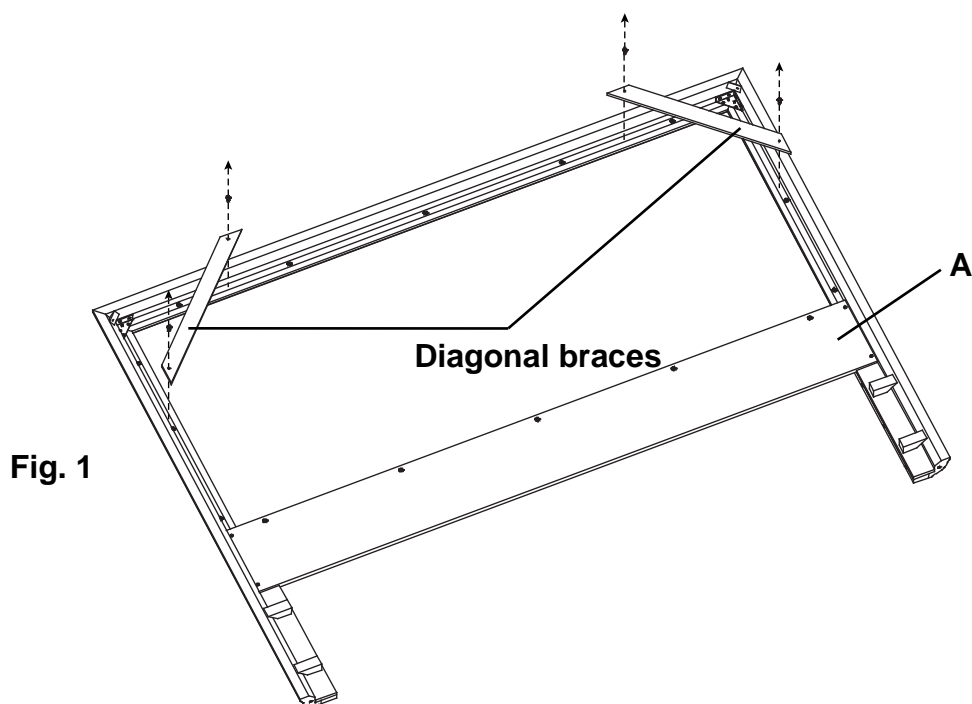
**Tools Required:** Phillips screwdriver, Slotted screwdriver, 1/2" & 7/16" open end or box end wrench and Tape measure

### Notes:

Steps 1 through 10 are for the Stonewood Cal-King Manor Upholstered Storage Bed (#5618).

Steps 11 through 18 are for the Stonewood Cal-King Manor Upholstered Bed (#5643).

1. Remove the diagonal braces from the back of the Headboard (A). See Figure 1.



# 5618RGB Stonewood Cal-King Manor Upholstered Storage Bed; 5643RGB Stonewood Cal-King Manor Upholstered Bed

## Assembly Instructions

This assembly requires two people.

- Place the Headboard Assembly (A) face down on a clean, protected surface. Remove two pieces of foam blocks from the packaging and place them under the legs of the Headboard Assembly (A) so that the Upholstered Headboard Insert (ZR) can be set into place within the framework. Use a slotted screwdriver to align the holes of the Upholstered Headboard Insert (ZR) with the holes in the Headboard Assembly (A). Insert only halfway all sixteen 1/4" x 1" Hex Bolts (ZQ) and Washers (U). Slight downward pressure on the Upholstered Headboard Insert (ZR) will help engage the 1/4" x 1" Hex Bolts (ZQ) and Washers (U). Once the two components are joined, tighten all the Hex Bolts with a wrench. See Figures 2 and 2a.

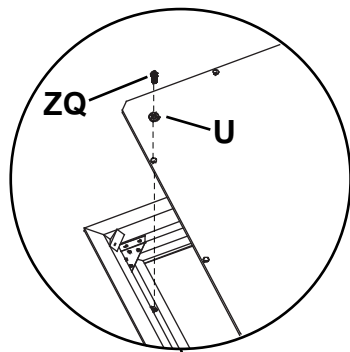


Fig. 2a

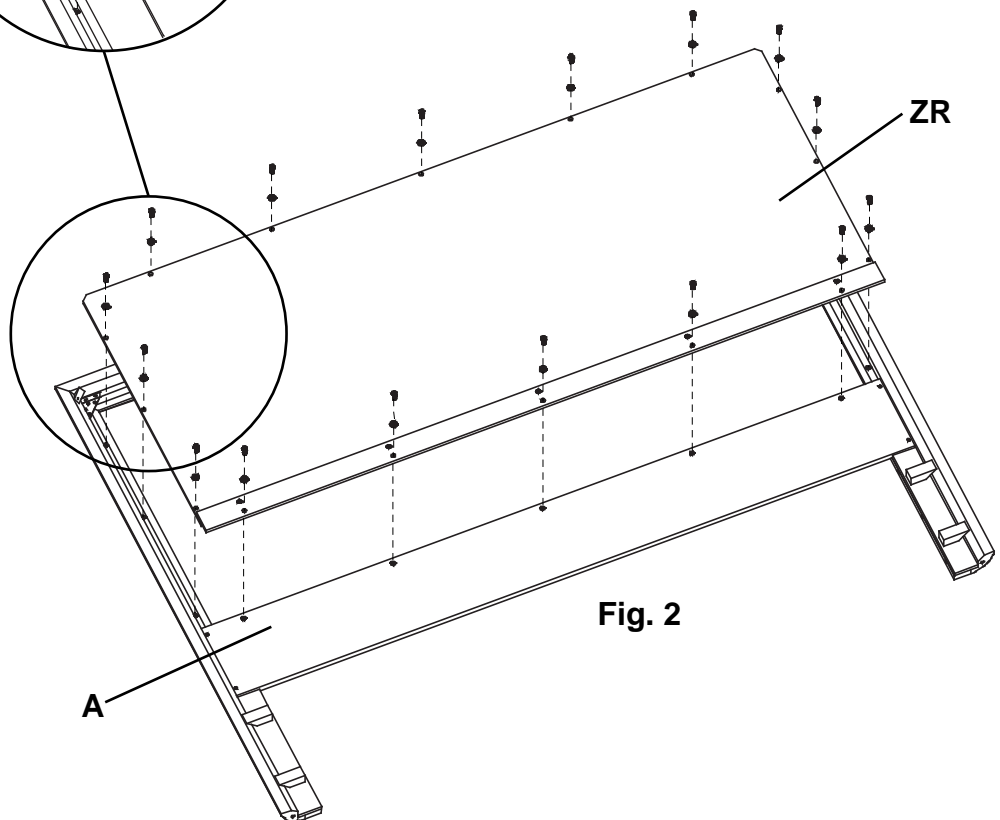
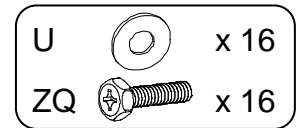


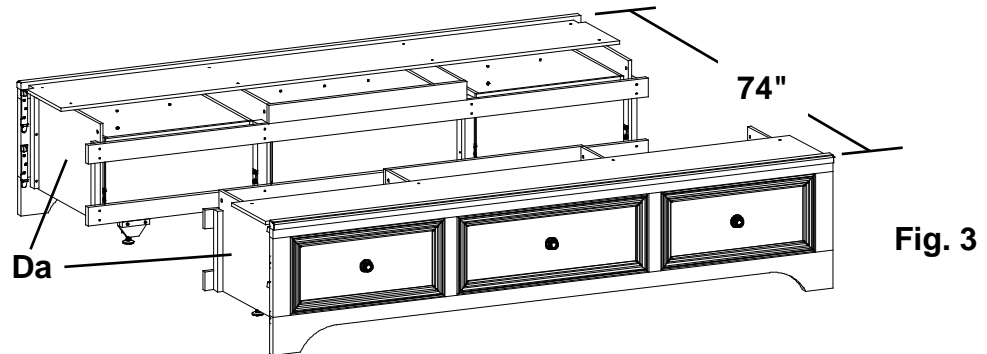
Fig. 2

**5618RGB Stonewood Cal-King Manor Upholstered Storage Bed;  
5643RGB Stonewood Cal-King Manor Upholstered Bed**

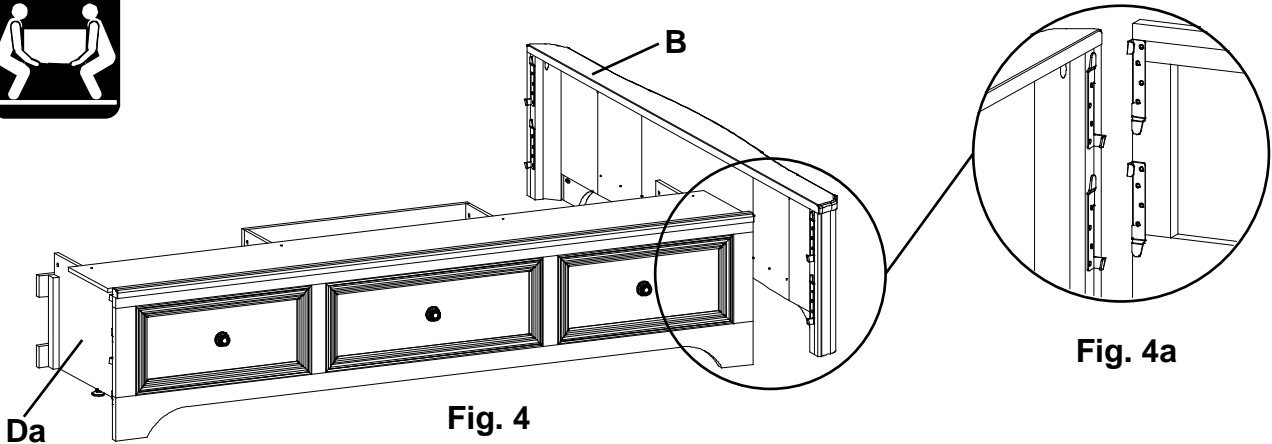
*Assembly Instructions*

This assembly requires two people.

3. Place both Pedestals (Da) approximately 74" apart as shown in Figure 3.



4. To attach the Footboard (B) to the Pedestal (Da), align the Brackets and slide the Pedestal down on to the Footboard (B). See Figures 4 and 4a.

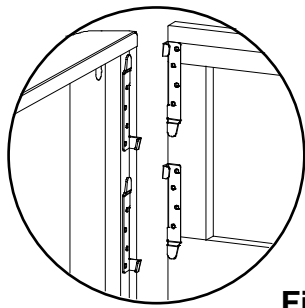




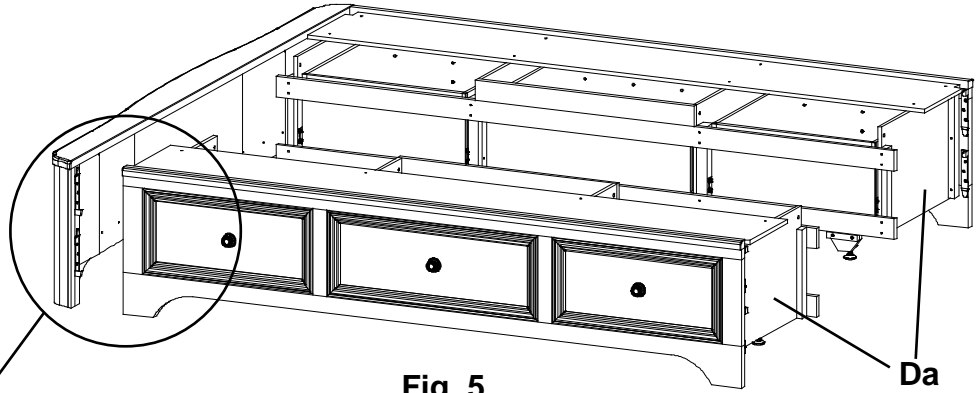
# 5618RGB Stonewood Cal-King Manor Upholstered Storage Bed; 5643RGB Stonewood Cal-King Manor Upholstered Bed

*Assembly Instructions*  
This assembly requires two people.

5. Repeat step four for the other side. See Figures 5 and 5a.

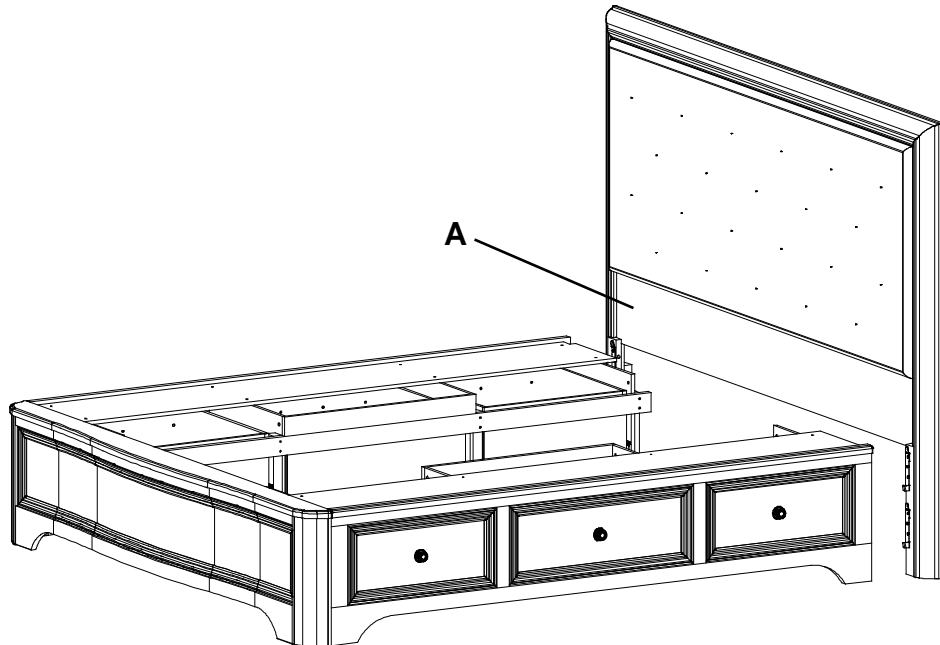


**Fig. 5a**



**Fig. 5**

6. Align the Brackets on both sides and slide the Pedestal/Footboard assembly down on to the Headboard (A). See Figure 6.



**Fig. 6**

# 5618RGB Stonewood Cal-King Manor Upholstered Storage Bed; 5643RGB Stonewood Cal-King Manor Upholstered Bed

## Assembly Instructions

This assembly requires two people.

7. Open the drawers. Face the Footboard and stand in between the first and second braces. Place a Trestle with T-Nuts (G) on the outside surfaces of the first upper left and right braces so that the T-Nuts (V) sit near the top. See Figure 7a. Line up the upper edges of the trestle and braces so they are nearly flush. Insert two 1/4" x 1-1/2" Hex Bolts (X) and Washers (U) and tighten. Repeat for the second upper brace. See Figures 7 and 7a.

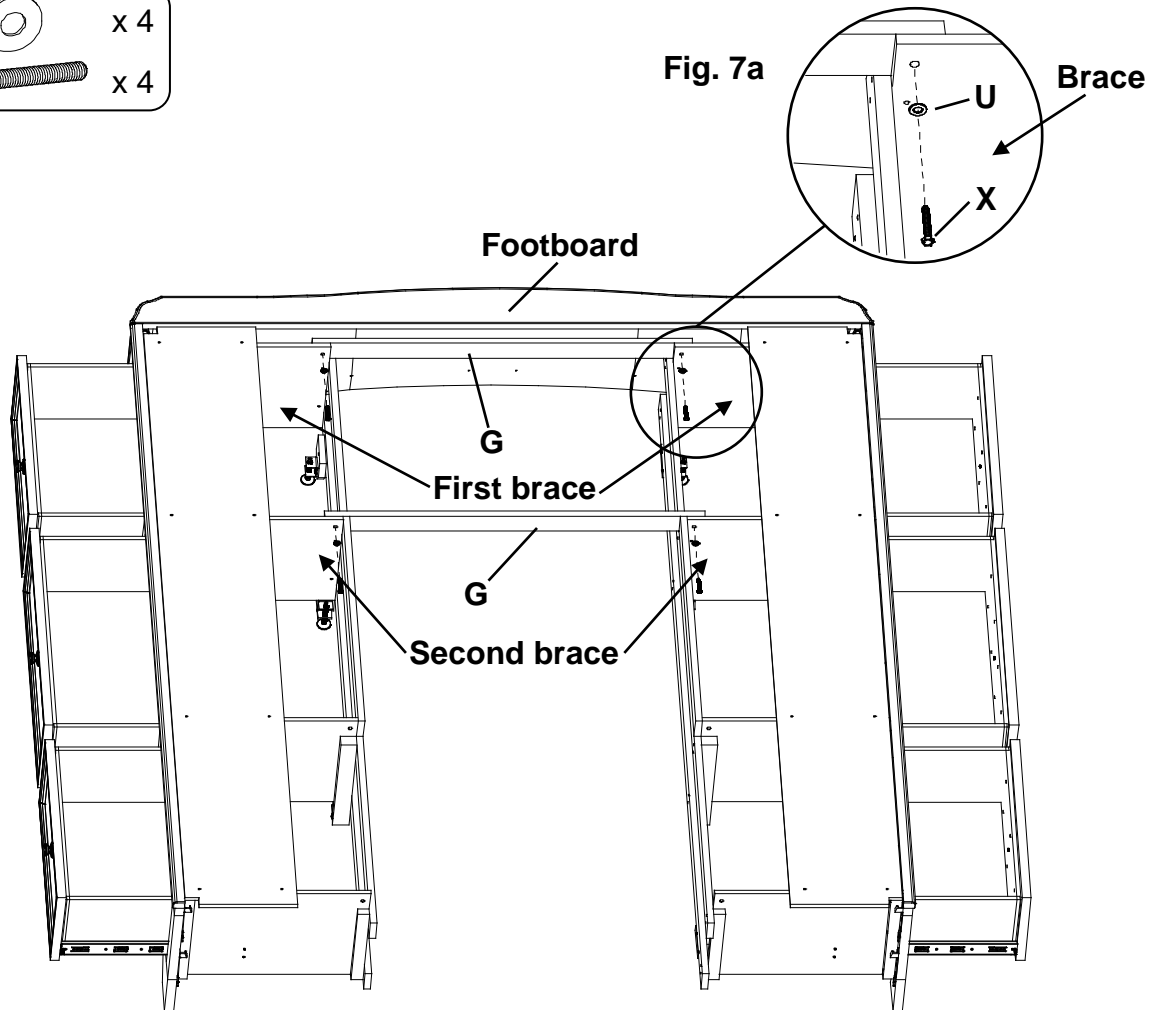
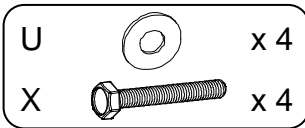


Fig. 7

*Headboard removed for illustration purposes.*

# 5618RGB Stonewood Cal-King Manor Upholstered Storage Bed; 5643RGB Stonewood Cal-King Manor Upholstered Bed

## Assembly Instructions

This assembly requires two people.

8. Face the Headboard and stand in between the third and fourth braces. Place a Trestle with T-Nuts (G) on the outside surfaces of the third upper left and right braces so that the T-Nuts (V) sit near the top. See Figures 8 and 8a. Line up the upper edges of the trestle and braces so they are nearly flush. Insert two 1/4" x 1-1/2" Hex Bolts (X) and Washers (U) and tighten.

Repeat for the fourth braces.

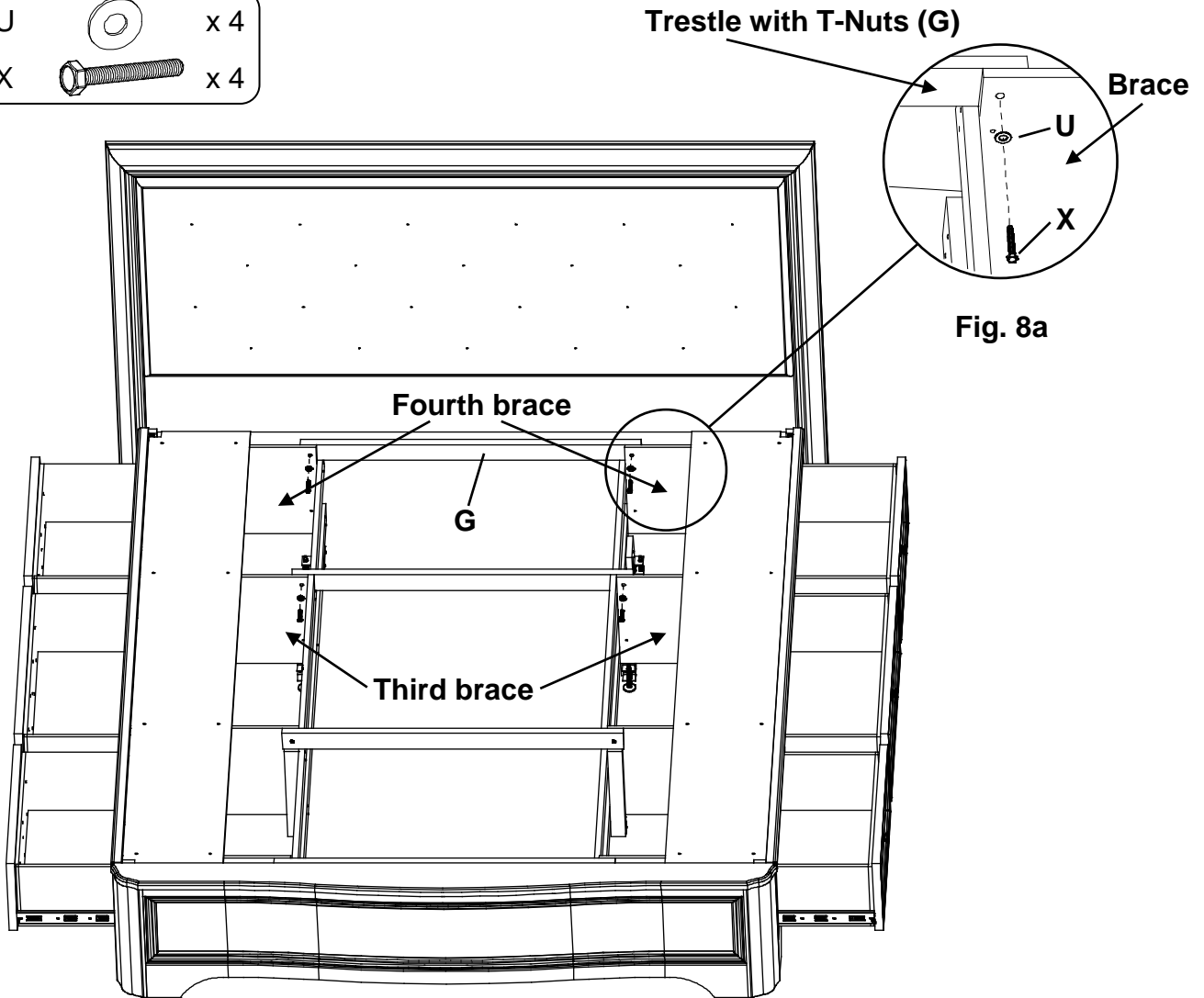
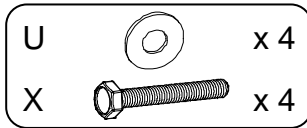


Fig. 8

# 5618RGB Stonewood Cal-King Manor Upholstered Storage Bed; 5643RGB Stonewood Cal-King Manor Upholstered Bed

## Assembly Instructions

This assembly requires two people.

- Place your bed in its final position. Using a 1/2" wrench or Slotted screwdriver adjust the Adjustable Glides (ZE) on the bottoms of the Assembled Feet (J) so that the top edge of the trestles are 17" from the floor.

**IMPORTANT: Make sure the Glides touch the floor and carry weight.**

To make sure the bed is square, measure the distance between opposing corners. If one of the measurements is larger, tap on a footboard leg until the measurement is equal. See Figure 9.

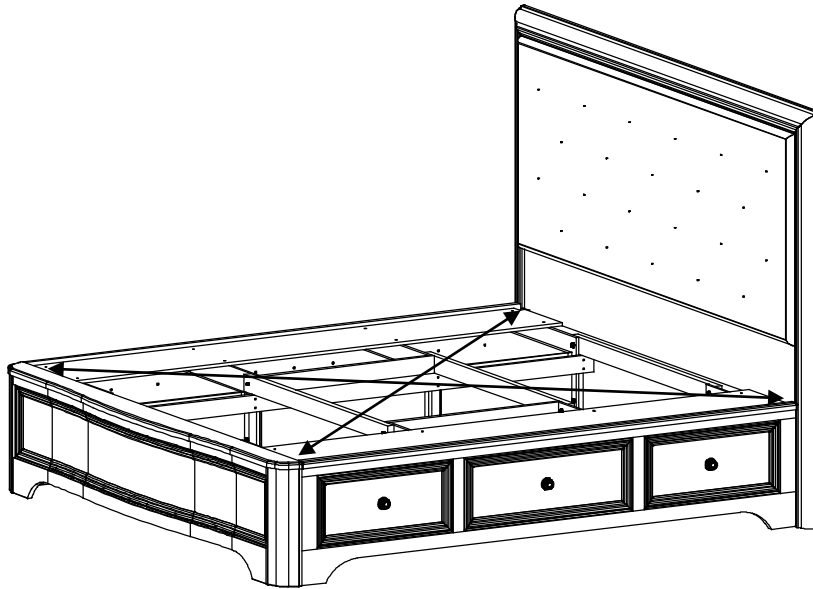


Fig. 9

- Place the Center Deckboards (H) as shown in Figure 10 and secure with sixteen #8x1-1/4" Black Screws (O). There should be a small gap between each deckboard.

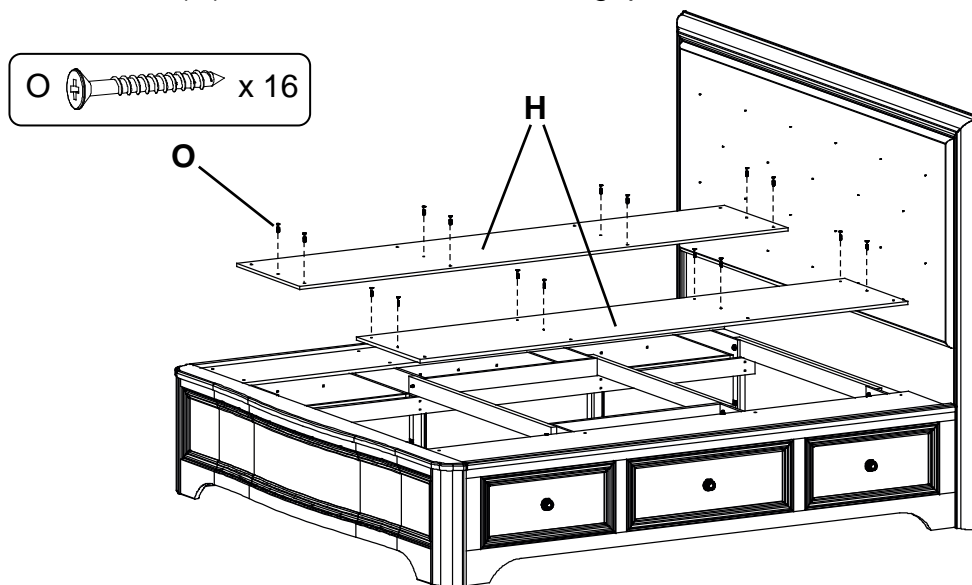


Fig. 10

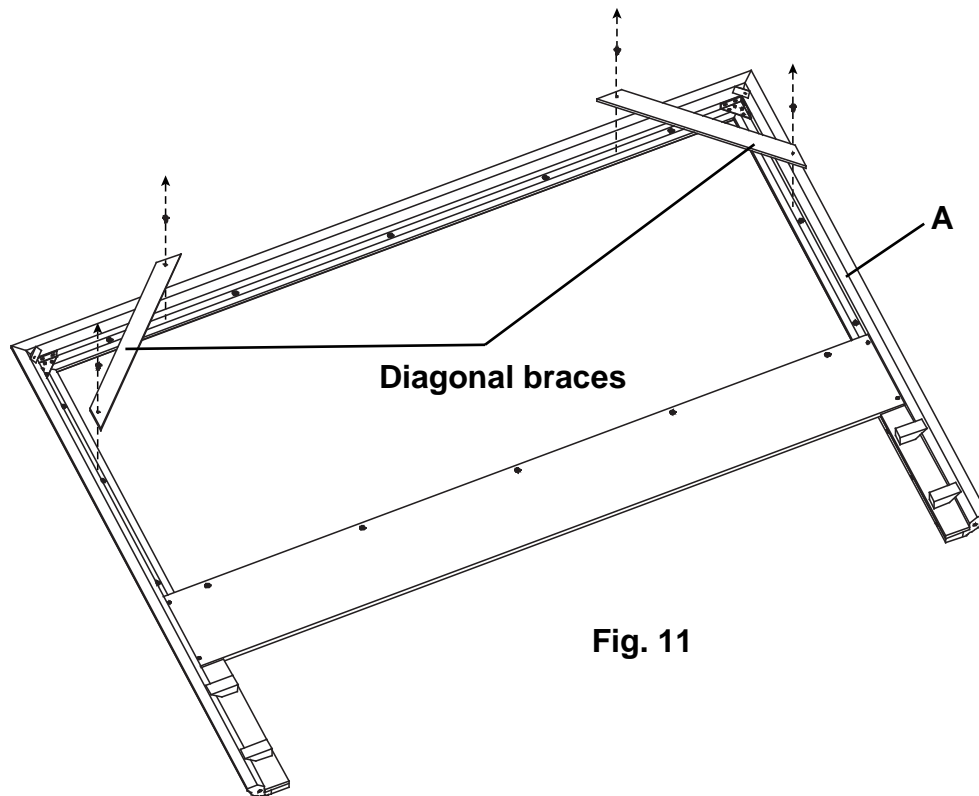
**This concludes the assembly process for the Stonewood Manor Upholstered Storage Bed, if you have purchased a Stonewood Manor Upholstered Rail Bed please refer to the instructions beginning on page 13.**

# 5618RGB Stonewood Cal-King Manor Upholstered Storage Bed; 5643RGB Stonewood Cal-King Manor Upholstered Bed

## Assembly Instructions

This assembly requires two people.

11. Remove the diagonal braces from the back of the Headboard (A). See Figure 11.



Continued on Page 14

# 5618RGB Stonewood Cal-King Manor Upholstered Storage Bed; 5643RGB Stonewood Cal-King Manor Upholstered Bed

## Assembly Instructions

This assembly requires two people.

- Place the Headboard Assembly (A) face down on a clean, protected surface. Remove two pieces of foam blocks from the packaging and place them under the legs of the Headboard Assembly (A) so that the Upholstered Headboard Insert (ZR) can be set into place within the framework. Use a slotted screwdriver to align the holes of the Upholstered Headboard Insert (ZR) with the holes in the Headboard Assembly (A). Insert only halfway all sixteen 1/4" x 1" Hex Bolts (ZQ) and Washers (U). Slight downward pressure on the Upholstered Headboard Insert (ZR) will help engage the 1/4" x 1" Hex Bolts (ZQ) and Washers (U). Once the two components are joined, tighten all the Hex Bolts with a wrench. See Figures 12 and 12a.

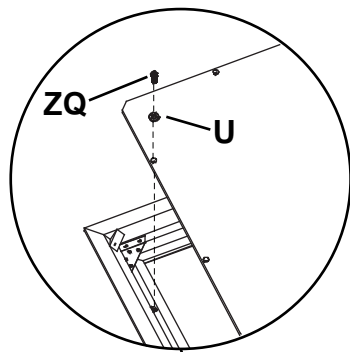


Fig. 12a

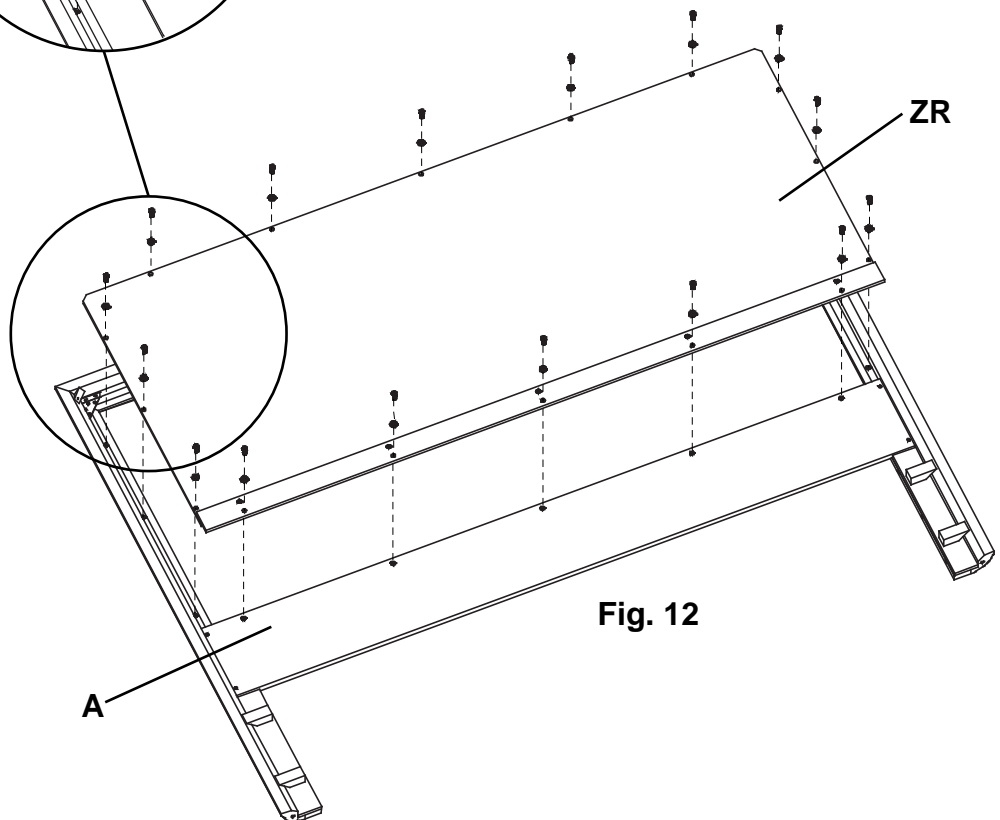
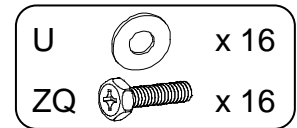


Fig. 12

# 5618RGB Stonewood Cal-King Manor Upholstered Storage Bed; 5643RGB Stonewood Cal-King Manor Upholstered Bed

## Assembly Instructions

This assembly requires two people.

13. To attach the Footboard (B) to the Side Rail (ZO), align the Brackets and slide the Side Rail (ZO) down on to the Footboard (B). See Figures 13 and 13a.

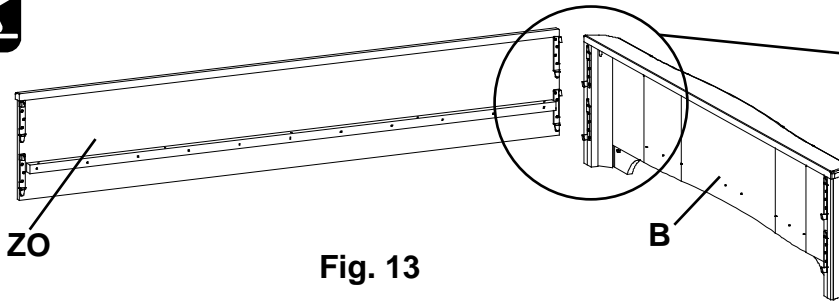


Fig. 13

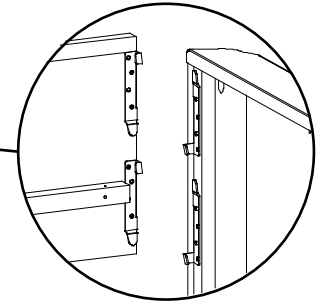


Fig. 13a

14. Repeat step thirteen for the other side. See Figures 14 and 14a.

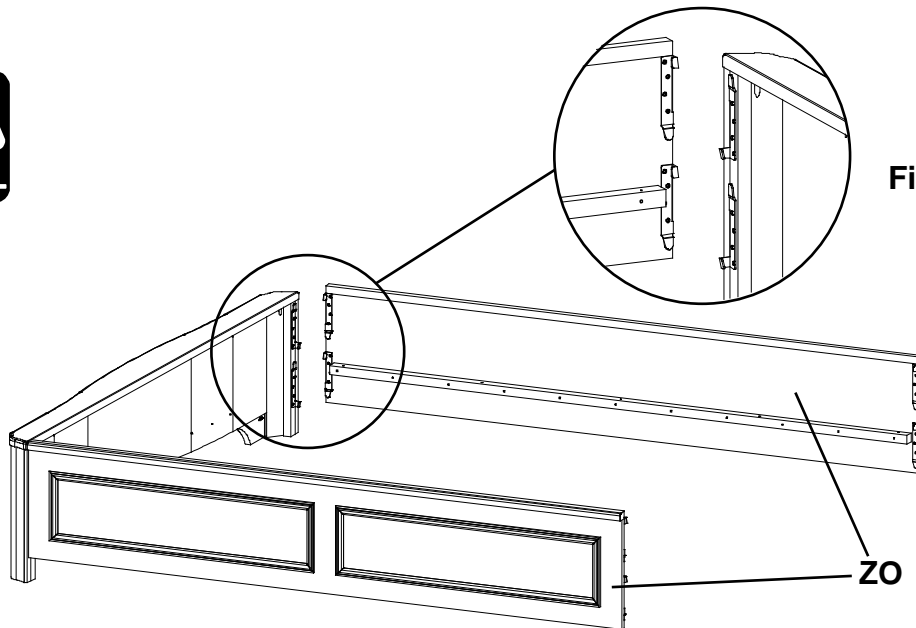


Fig. 14

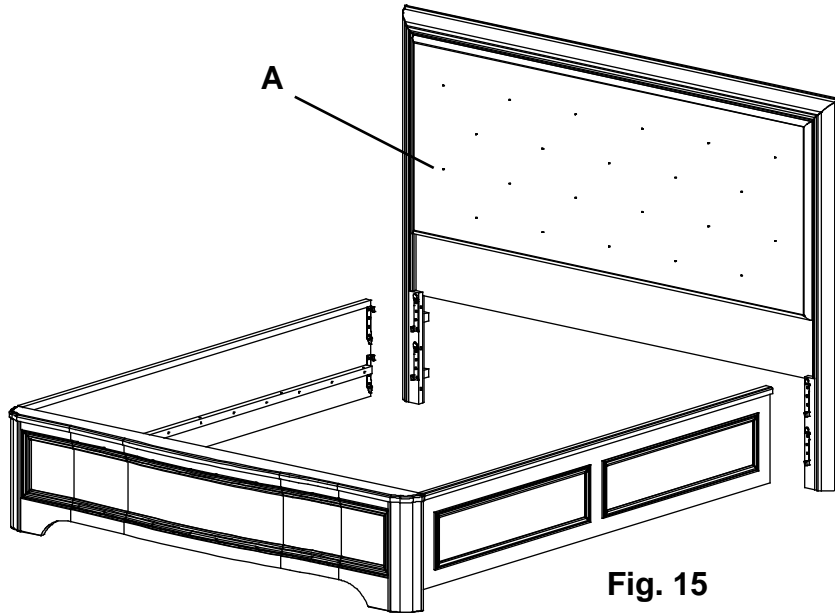
Fig. 14a

**5618RGB Stonewood Cal-King Manor Upholstered Storage Bed;  
5643RGB Stonewood Cal-King Manor Upholstered Bed**

*Assembly Instructions*

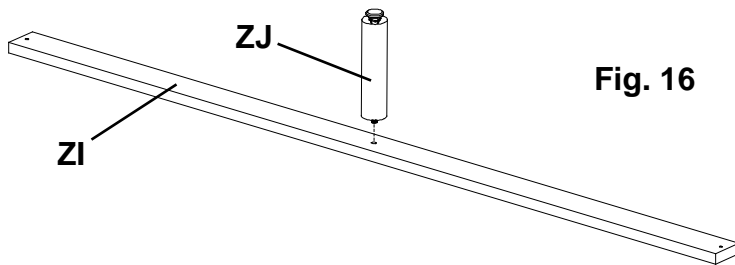
This assembly requires two people.

15. Align the Brackets on both sides and slide the Side Rail/Footboard assembly down on to the Headboard (A). See Figure 15.



**Fig. 15**

16. Attach Assembled Feet (ZJ) to five Queen Slats (ZI) as shown in Figure 16.



**Fig. 16**

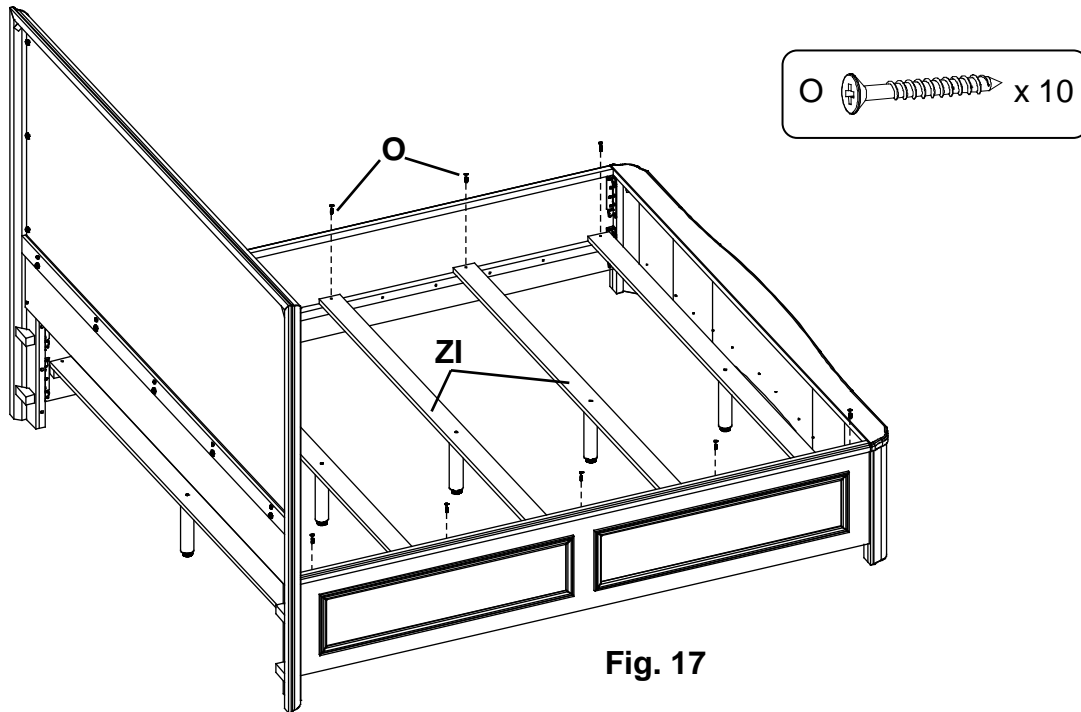


# 5618RGB Stonewood Cal-King Manor Upholstered Storage Bed; 5643RGB Stonewood Cal-King Manor Upholstered Bed

## Assembly Instructions

This assembly requires two people.

17. Move the bed assembly to its final position. Position the Slats (ZI) on the bottom edges of the rails. Attach with #8 x 1-1/4" Black Screws (O). See Figure 17.



18. Adjust the Adjustable Glides with Hex Nut (ZL) on the Assembled Feet (ZJ) so the Glides just touch the floor, making sure the Assembled Feet bear weight. See Figure 18.

