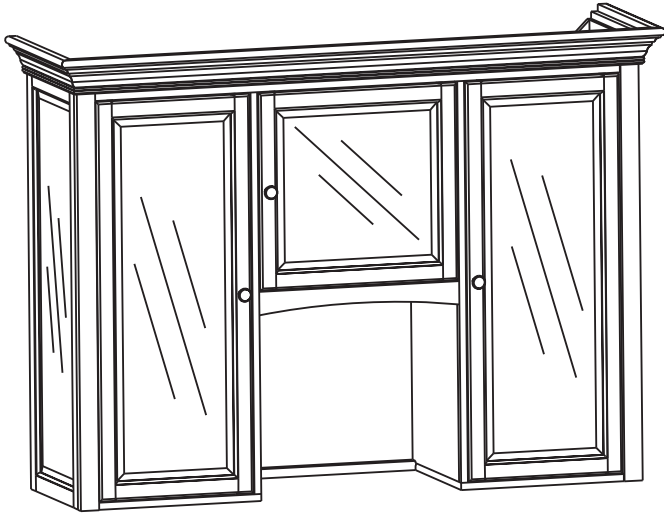


Model #

2658AFGAC McKenzie Hutch

Assembly Instructions



Congratulations!

This fine piece of furniture will make a handsome addition to your home. For the best results, start by reading the Assembly Instructions before you begin your project.

**For normal household use only.
NOT recommended for commercial use.**



Do not climb, sit or stand on this unit.

Do not overload shelves on this unit.

Unload items from this unit prior to moving.

Before loading or moving this unit, check all screws and supports for tightness.

Handle the glass plates with care.  Glass is fragile.

DESIGN SUBJECT TO CHANGE WITHOUT NOTICE.

**Whittier
Wood**
FURNITURE

P.O. Box 2827
Eugene, OR 97402 USA



CALL US FIRST!
DO NOT RETURN ITEM TO STORE

Service Policy: We will replace parts which are defective, missing or damaged. Please contact Whittier Wood Products customer service department directly (by phone, fax, mail or E-mail) for replacement parts.

Hours: Our friendly customer service staff can be reached Monday-Friday 7:00 a.m. to 5:00 p.m. (Pacific Time). A message can be left 24 hours a day, 7 days a week.

To Order: Provide the complete furniture model number, part letter, production code, quantity needed, reason for replacement and your full name and address along with a telephone number in case we need to contact you.

Parts ship from our Eugene, Oregon factory within 1 or 2 business days from the time we receive the request. Please allow 5-10 business days for delivery.

800-653-3336

Outside U.S. or Canada: 541- 687- 0213

Fax: 541-687-2060 • www.whittierwood.com

Mail: P.O. Box 2827 • Eugene, Oregon 97402, U.S.A

IMPORTANT NOTES:

- Read the Assembly Instructions completely before beginning your project.
- Store the item: 1) in the box; 2) in a dry place; 3) in temperatures ranging from 40° to 90°. (Not on a cold, possibly damp, cement floor.)
- Inspect your furniture periodically for any loose glue joints or screws, or any other problem which may affect the stability of your furniture. Tighten or repair as needed.
- This Assembly requires two people.

Production Code:

VN

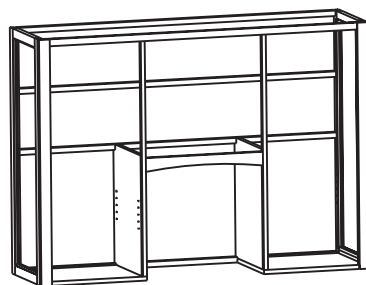
08/08

2658AFGAC McKenzie Hutch — Parts List

Please identify the parts and check that quantities received ~~with~~ those on this list.
If you need to replace a part, refer to the following lettered ~~model~~ name.



A — 2658 Top Assembly
— Qty. 1 (Attached)



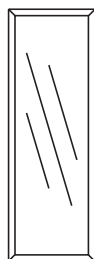
B — 2658 Case Only — Qty. 1



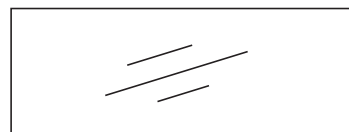
C — Small Back Mirror
— Qty. 2 (Installed)



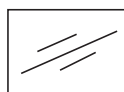
E — Side Glass
— Qty. 2
(Installed)



F — Door Glass
— Qty. 2
(Installed)



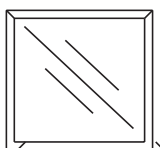
D — Large Back Mirror
— Qty. 1 (Installed)



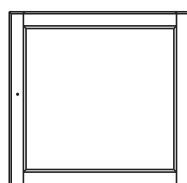
G — Small Adjustable
Glass Shelf — Qty. 2



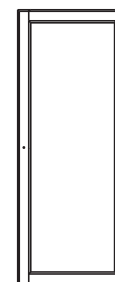
H — Large Glass Shelf
— Qty. 2



I — Center Door Glass
— Qty. 1 (Installed)



J — Center Door Frame
— Qty. 1 (Attached)



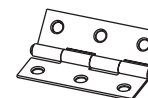
K — Door Frame
— Qty. 2 (Attached)



L — Knob — Qty. 3
(Installed)



M — #8 x 1½" Machine Screw
— Qty. 3 (Installed)



N — Hinge — Qty. 8
(Installed)



O — Plastic Shelf Bracket
— Qty. 14 (Attached)

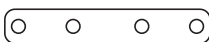
V — Magnetic Catch Kit
— Qty. 5 (Installed)



Q — #6 x ¾" Brass Flat
Head Screw — Qty. 56
(48 inserted)



R — Clip — Qty. 4



P — Mending Plate — Qty. 2



S — Nylon Restraint Strap
— Qty. 2



T — #8 x 2" Black Screw
— Qty. 4



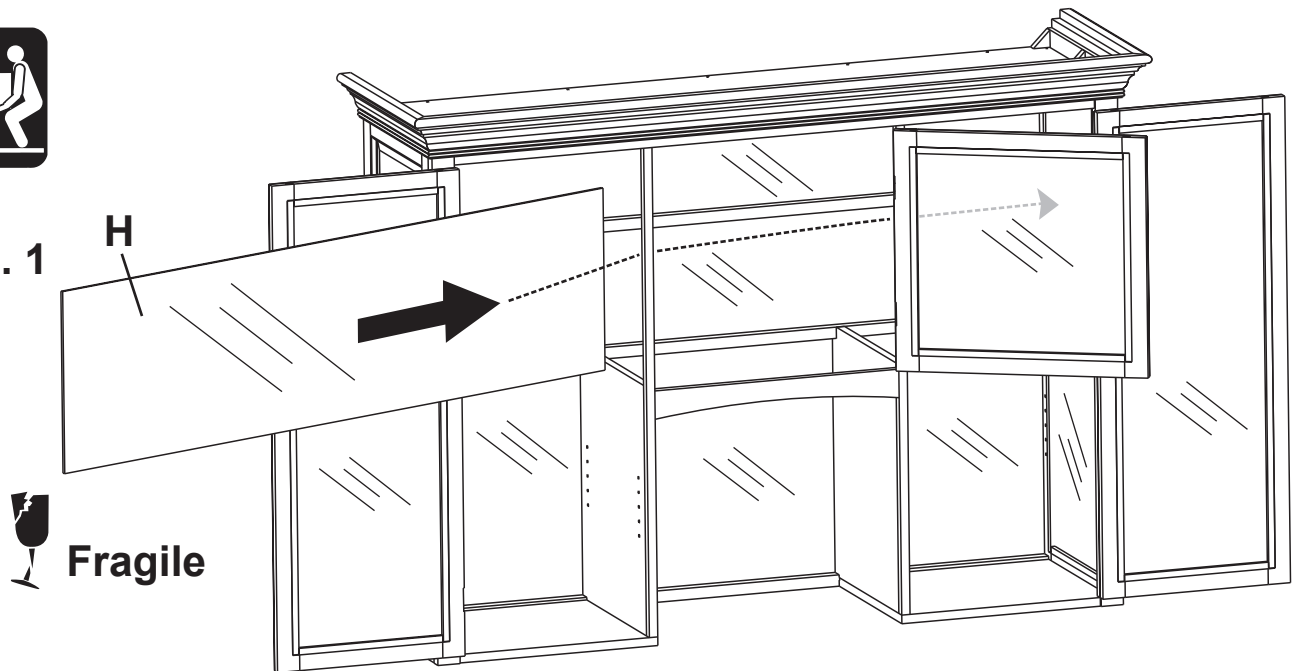
U — #8 x 1" Pan Screw
— Qty. 4

2658AFGAC McKenzie Hutch Assembly Instructions

TOOL REQUIRED: Phillips Screwdriver



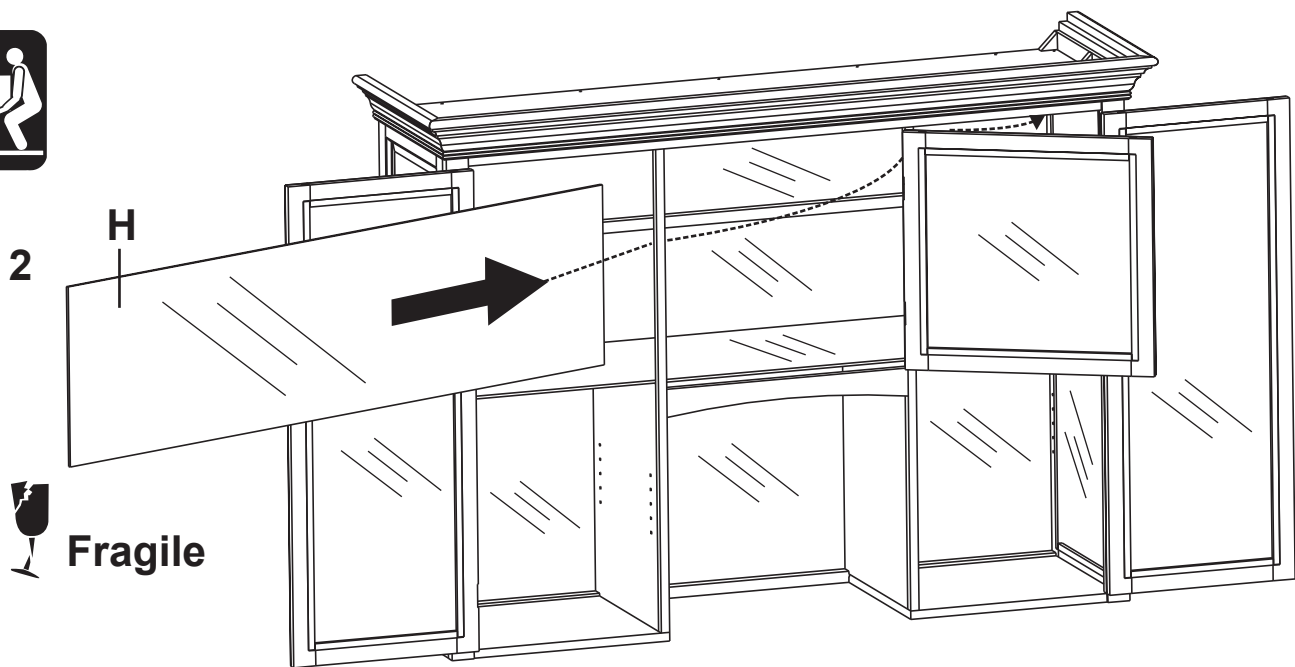
FIG. 1



1. Install the lower Large Glass Shelf (H) first. Open the hutch doors. Using two people, turn the Large Glass Shelf (H) sideways and carefully move the Shelf through the open left side door and behind the vertical wood divider. Gently carry and move the shelf until it is entirely inside the unit. Rotate the shelf horizontally so that it rests on the wood sides and Shelf Brackets (O). See Figure 1.



FIG. 2



2. Again using two people, turn the second Large Glass Shelf (H) sideways and carefully move the Shelf through the open left side door and behind the vertical wood divider. Gently carry and move the Shelf until it is entirely inside the unit. Still holding the shelf vertically, lift it high enough so that it goes past the Plastic Shelf Brackets (O). Turn the shelf horizontally so that it rests upon the back wood divider and the Plastic Shelf Brackets (O). See Figure 2.

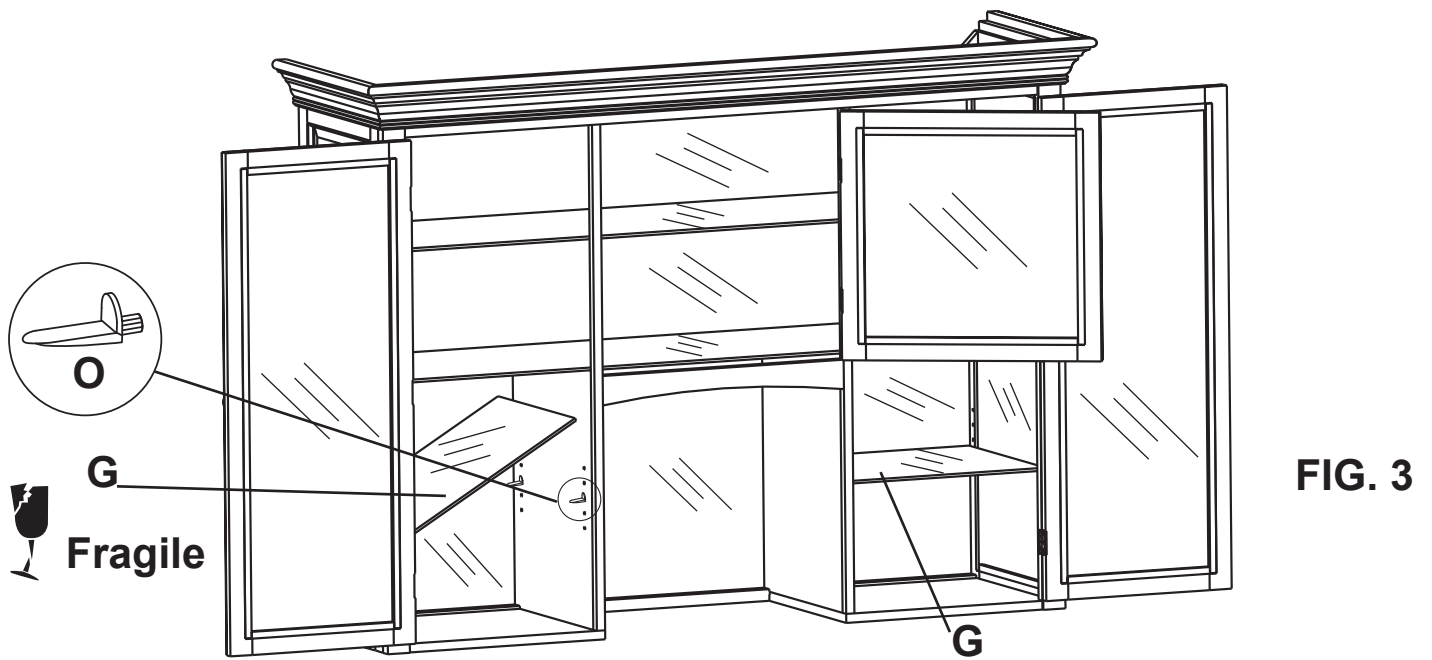
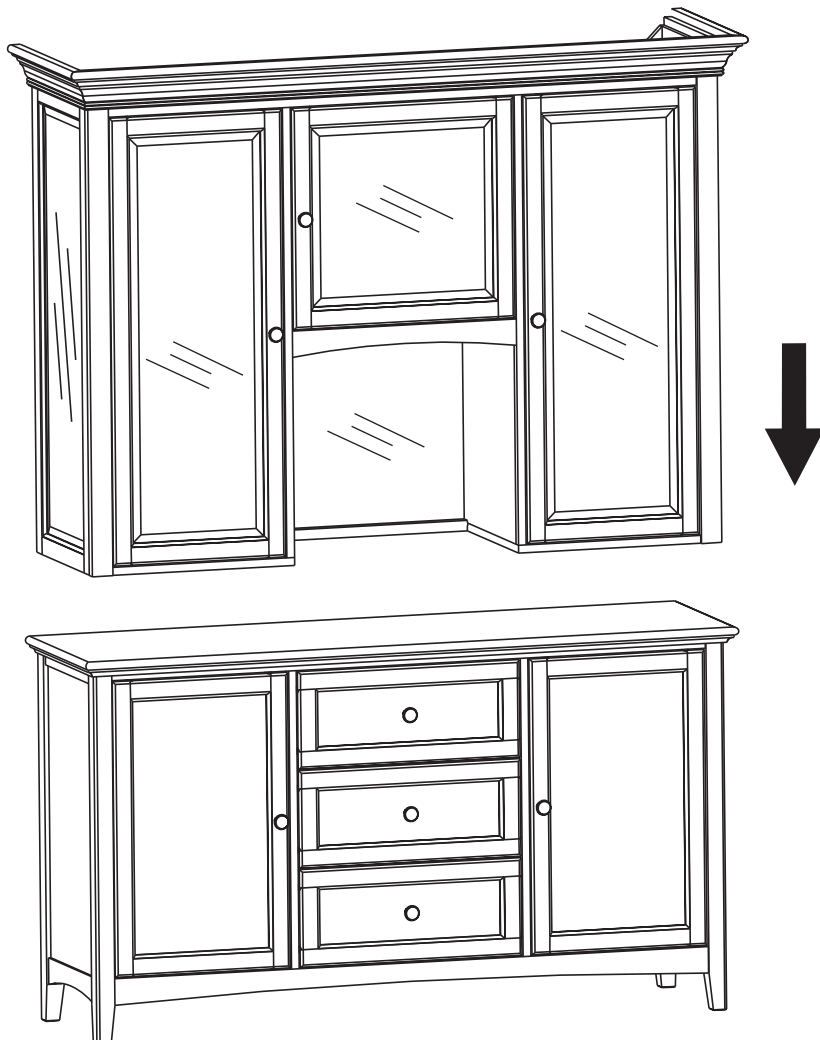


FIG. 3

3. Gently place the Small Adjustable Glass Shelf (G) over the Plastic Shelf Brackets (O) as shown in Figure 3. The height of the lower Plastic Shelf Brackets are adjustable.

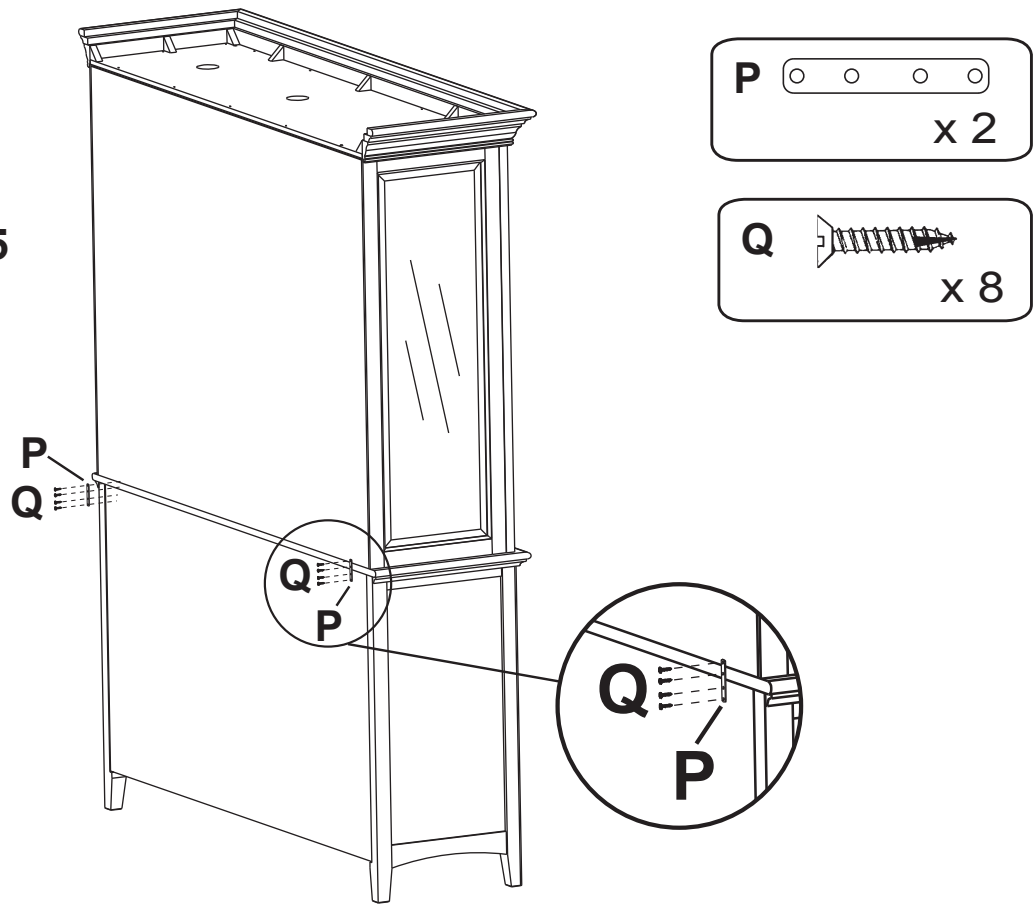


FIG. 4



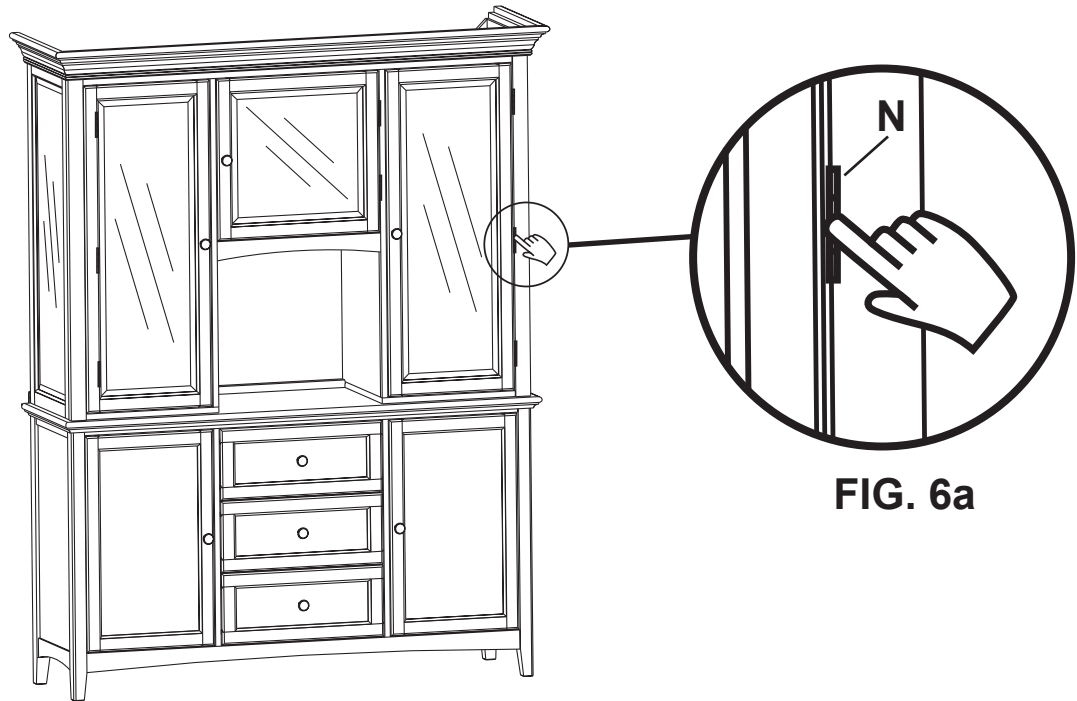
4. Lift the McKenzie Hutch and place it flush against the back edge and centered side-to-side of the Buffet.

FIG. 5



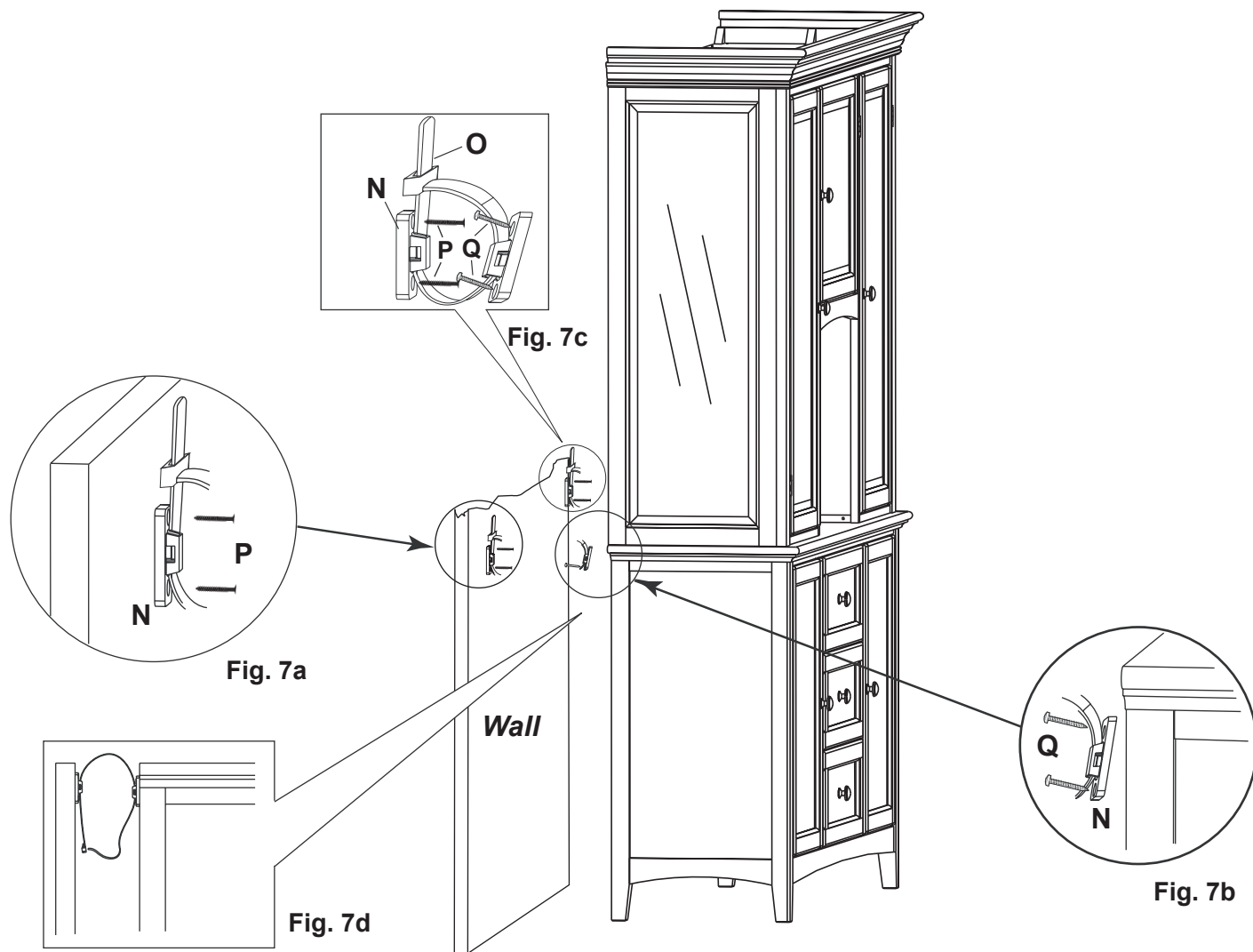
5. Secure the Hutch to the Buffet by attaching two Mending Plates (P) with #6 x 3/4" Brass Flat Head Screws as shown in Figure 5.

FIG. 6



6. On the right door, the middle Hinge (N) is a touch control for the inside lighting. See Figure 6a. There are three settings. NOTE: During the first week or so, the control is extra sensitive and the light settings may change just by moving your hand near the control or by touching the unit. This will soon dissipate. NOTE: PLUG IN THE ELECTRICAL CORD AND TEST YOUR HALOGEN LIGHTING. If you experience problems, call Whittier Wood Furniture Customer Service.

Note: When using the 2658AFGAC Hutch and the 2657AFGAC Buffet, secure the 2657AFGAC Buffet to the wall with tipping restraint sets included in the 2657AFGAC Buffet hardware. Follow instructions below.



Tipping Restraint

7. Position unit at desired location. Locate stud in the wall behind unit. Attach Clip (R) to wall stud with #8 x 2" Black Screws (T). See Figure 7a. Attach second clip to unit with #8 x 1" Pan Head Screws (U). See Figure 7b. Connect the two clips with Nylon Restraint Strap (S). See Figures 7c and 7d. If studs cannot be located, purchase proper tipping restraint hardware for your type of wall and secure the unit according to that hardware's directions.