

Model #

**2319GACc**

**2319CAFc**

**2319FSTc**

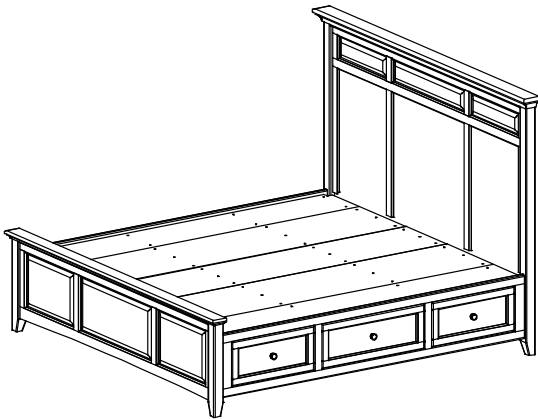
# McKenzie King Mantel Storage Bed

**GAC = Glazed Antique Cherry finish**

**CAF = Caffè finish**

**FST = Fieldstone finish**

*Assembly Instructions*



*Thank you for allowing us to help you furnish your home. We are certain you will be delighted with your new furniture for many years to come.*

## IMPORTANT NOTES:

- For normal household use only. *Not* recommended for commercial use.
- Remove items before you move this unit.
- Do not overload the drawers.
- This assembly requires two people.

### **WARNING**

Drilling, sawing, sanding or machining wood products can expose you to wood dust, a substance known to the state of California to cause cancer. Avoid inhaling wood dust or use a dust mask or other safeguards for personal protection.

For more information go to: [www.p65warnings.ca.gov/wood](http://www.p65warnings.ca.gov/wood)

This product can expose you to chemicals, including formaldehyde, which are known to the State of California to cause cancer.

For more information go to: [www.p65warnings.ca.gov/furniture](http://www.p65warnings.ca.gov/furniture)

**DESIGN SUBJECT TO CHANGE WITHOUT NOTICE.**

## CUSTOMER SERVICE

If you ever have questions about your furniture, please do not hesitate to contact us. In the unlikely event you need a replacement part; we can make those parts available through an authorized Whittier Wood Furniture dealer. If you cannot order replacement parts through your dealer, please contact our customer service department.

**Hours:** Our friendly customer service staff can be reached:

**Monday-Friday 8:00 a.m. to 5:00 p.m. (Pacific Time).**

You may leave a message 24 hours a day, seven days a week.

**Customer Service:** 800-653-3336 • **Outside the U.S.:** 541-687-0213

**Fax:** 541-687-2060 • **Email:** [info@whittierwood.com](mailto:info@whittierwood.com)

**Whittier  
Wood**  
FURNITURE

P.O. Box 2827  
Eugene, OR 97402 USA

Production Code:


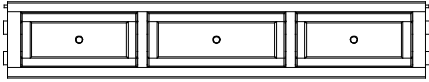



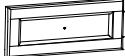



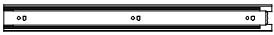




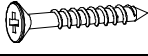


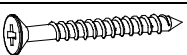
VN

12/19

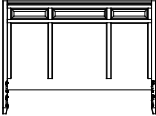
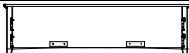


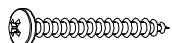
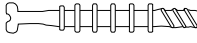
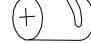




**2319GACc 2319CAFc 2319FSTc McKenzie King Mantel Storage Bed**  
*Parts List*

Please identify the parts and check that quantities received match those on this list.  
 If you need to replace a part, refer to the following letter and part name.

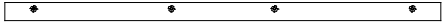
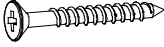




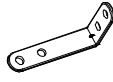
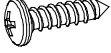


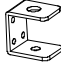
**1318GACe 1318CAFe 1318FSTe Pedestal Kit (x2)**

<b>Part</b>	<b>Description</b>	<b>Quantity</b>
E	#8 x 1-1/4" Black Screw (inserted) 	30
Id	Pedestal Kit 	1
J	Small Drawer Box (assembled) 	2
Kd	Large Drawer Box (assembled) 	1
L	Small Drawer Face (attached) 	2
Md	Large Drawer Face (attached) 	1
Ne	#8 x 1-1/2" Machine Screw Tuscan (installed) 	3
O	Knob (attached) 	3
Pd	Deckboard 	1
Q	20" Drawer Slides (installed) 	3 sets
T	#8 x 2" Black Screw (inserted) 	12
YD	#6 x 1/2" Philtruss Screw (inserted) 	18
YE	#6 x 3/4" Philtruss Screw (inserted) 	18
YL	#8 x 7/8" Black Lo-Profile Screw (inserted) 	20
ZP	#8 x 1" Black Screw (inserted) 	16
ZQ	Left Bracket (attached) 	2
ZR	Right Bracket (attached) 	2
ZX	#8 x 1-5/8" Black Screw (inserted) 	16

**2320GACa 2320CAFa 2320FSTa**  
**King Mantel Headboard/Footboard Kit (x1)**

<b>Part</b>	<b>Description</b>	<b>Quantity</b>
Aa	Headboard Assembly 	1
B	Footboard Assembly 	1
Rb	Center Deckboard 	1
YH	Top Assembly 	1
YI	#8 x 1-1/4" Pan Head Screw 	6 (4 inserted)
YJ	Cam Connector (inserted) 	2
YK	Cam Housing 	2
ZP	#8 x 1" Black Screw (inserted) 	32
ZQ	Left Bed Bracket (attached) 	4
ZR	Right Bed Bracket (attached) 	4
ZX	#8 x 1-5/8" Black Screw (inserted) 	4

## 2321Wc King Mantel Assembly Kit (x1)

<b>Part</b>	<b>Description</b>	<b>Quantity</b>
Da	Trestle With T-Nuts 	7
E	#8 x 1-1/4" Black Screw 	45 (9 inserted)
F	1/4" x 1-3/4" Hex Bolt 	26
Ua	Assembled Foot 	3
W	Adjustable Glide (installed) 	3
YD	#6 x 1/2" Philtruss Screw 	8
YG	90° Bracket 	2
YM	#10 x 3/4" Pan Head Screw (inserted) 	12
YN	18mm Washer 	26
ZU	1/4" T-Nut (inserted) 	28
ZY	Foot Bracket (attached) 	3

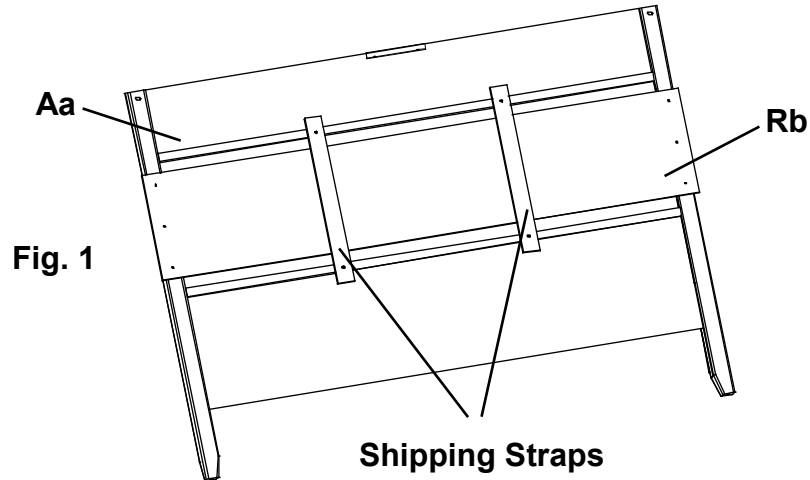
# 2319GACc 2319CAFc 2319FSTc McKenzie King Mantel Storage Bed

## Assembly Instructions

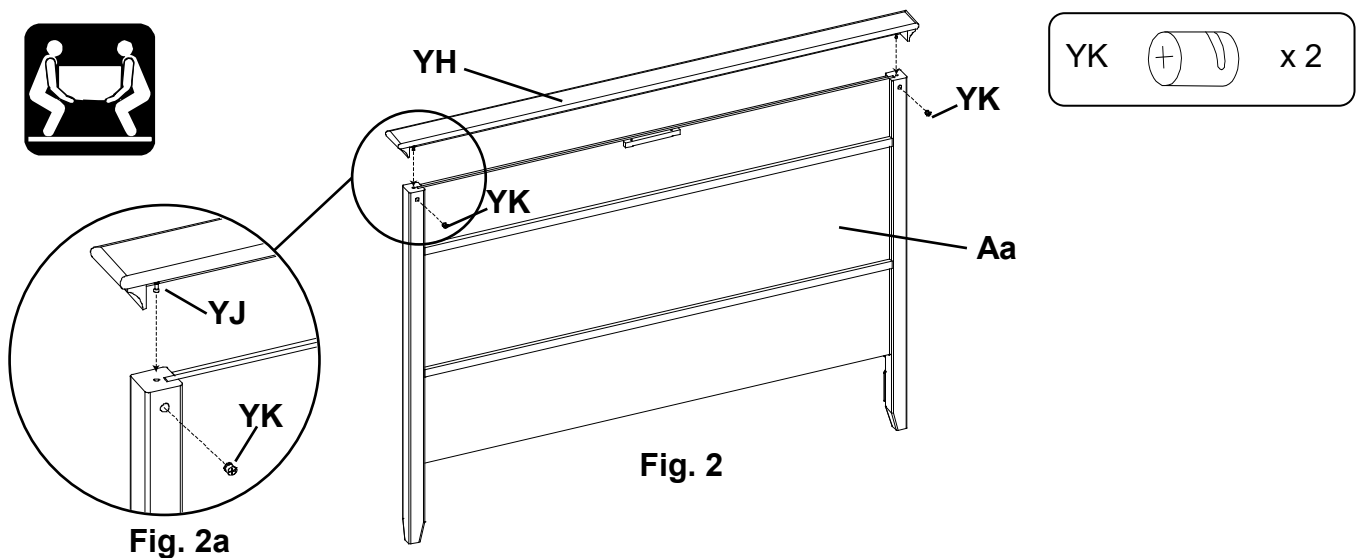
This assembly requires two people.

**Tools Required:** Phillips screwdriver, 7/16" open end or box end wrench and Tape measure

1. Remove the Center Deckboard (Rb) from the back of the Headboard (Aa) and place to the side. See Figure 1.



2. **NOTE: READ CAM INSTRUCTIONS NOW BEFORE YOU BEGIN THE FOLLOWING STEP.** Insert Cam Housings (YK) into the two pre-drilled holes on the Headboard Assembly (Aa) as shown in Figure 2. Lower Top Assembly (YH) so that the Cam Connectors (YJ) fit into the housings (YK) tighten the cam housings as indicated in the Cam-lock System instructions. See Figures 2 and 2a.



# 2319GACc 2319CAFc 2319FSTc McKenzie King Mantel Storage Bed

## Assembly Instructions

This assembly requires two people.

3. Attach the Top Assembly (YH) to the Headboard Assembly (Aa) by inserting two #8x1-1/4" Pan Head Screws (YI) into the predrilled holes in the block that is attached to the Headboard Assembly (Aa). See Figures 3 and 3a.

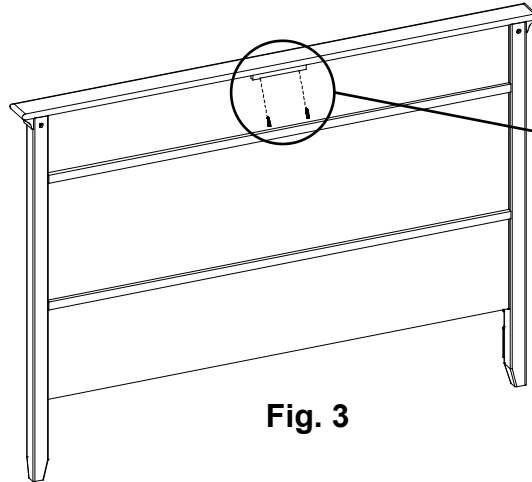


Fig. 3

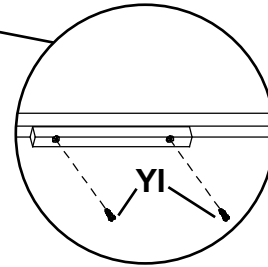
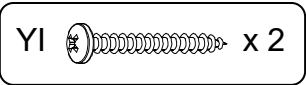


Fig. 3a



4. Place both Pedestals (Id) approximately 79" apart as shown in Figure 4.

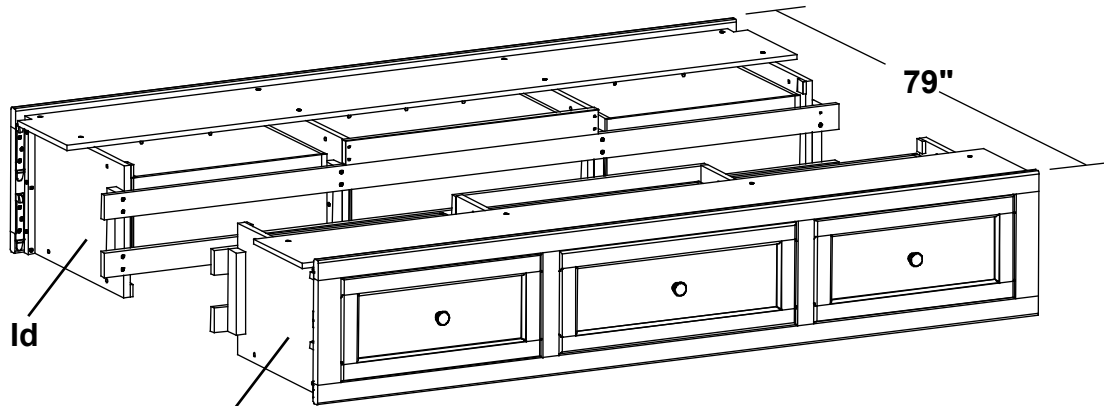


Fig. 4

# 2319GACc 2319CAFc 2319FSTc McKenzie King Mantel Storage Bed

## Assembly Instructions

This assembly requires two people.

- To attach the Footboard (B) to the Pedestal Assembly (Id), align the Brackets and slide the Pedestal Assembly down on to the Footboard (B). See Figures 5 and 5a.

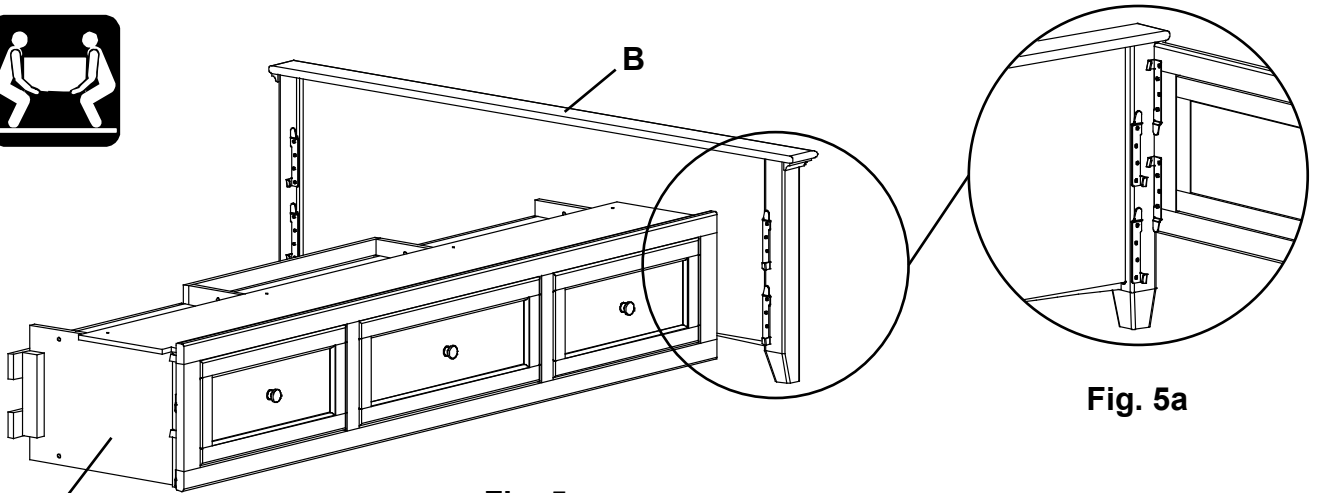


Fig. 5

Fig. 5a

- Repeat step five for the left side.

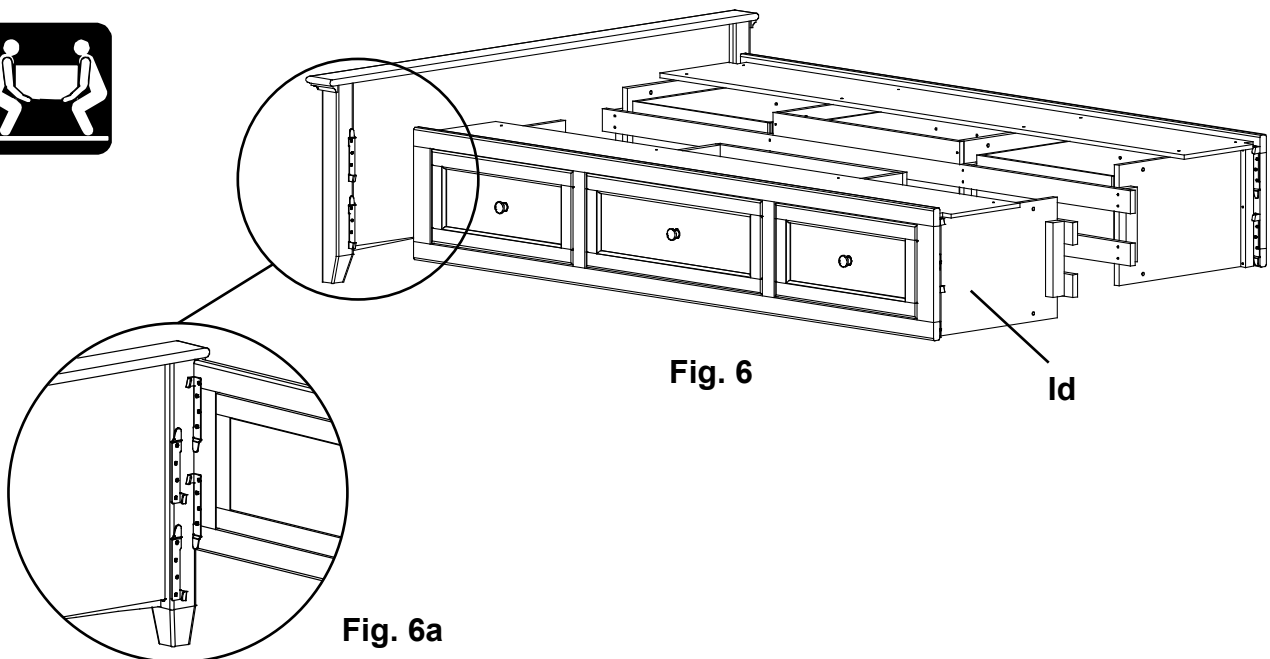


Fig. 6

Fig. 6a

# 2319GACc 2319CAFc 2319FSTc McKenzie King Mantel Storage Bed

## Assembly Instructions

This assembly requires two people.

7. Align the Brackets on both sides and slide the Pedestal/Footboard assembly down on to the Headboard (Aa). See Figure 7.

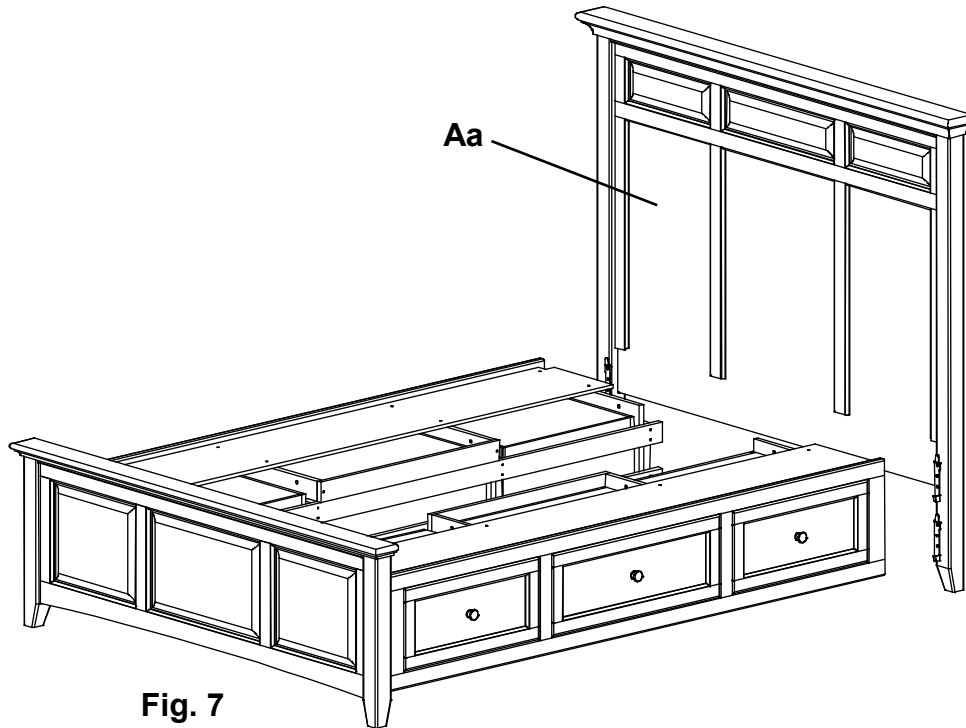


Fig. 7



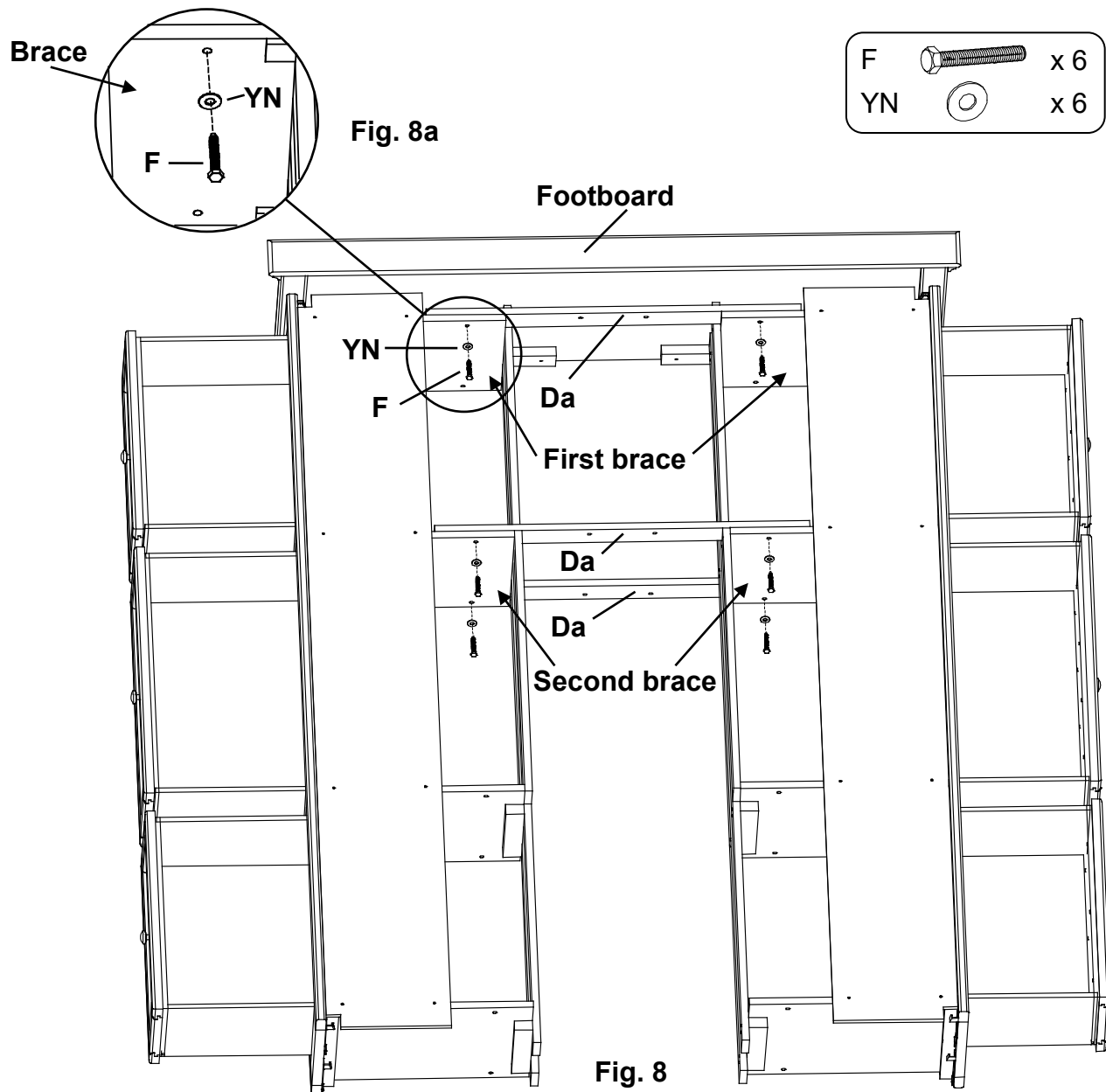
# 2319GACc 2319CAFc 2319FSTc McKenzie King Mantel Storage Bed

## Assembly Instructions

This assembly requires two people.

- Open the drawers. Face the Footboard and stand in between the first and second braces. Place a Trestle with T-Nuts (Da) on the outside surfaces of the first upper left and right braces so that the T-Nuts (ZU) sit near the top. See Figure 5a. Line up the upper edges of the trestle and braces so they are nearly flush. Insert two 1/4" x 1-3/4" Hex Bolts (F) and Washers (YN) and tighten. Repeat for the second upper brace.

Place a Trestle with T-Nuts (Da) on the outside surface of the second lower brace so that the T-Nuts (ZU) sit near the bottom. Line up the bottom edges of the trestle and braces so they are nearly flush. Insert two 1/4" x 1-3/4" Hex Bolts (F) and Washers (YN) and tighten. See Figures 8 and 8a.



*Headboard removed for illustration purposes.*

# 2319GACc 2319CAFc 2319FSTc McKenzie King Mantel Storage Bed

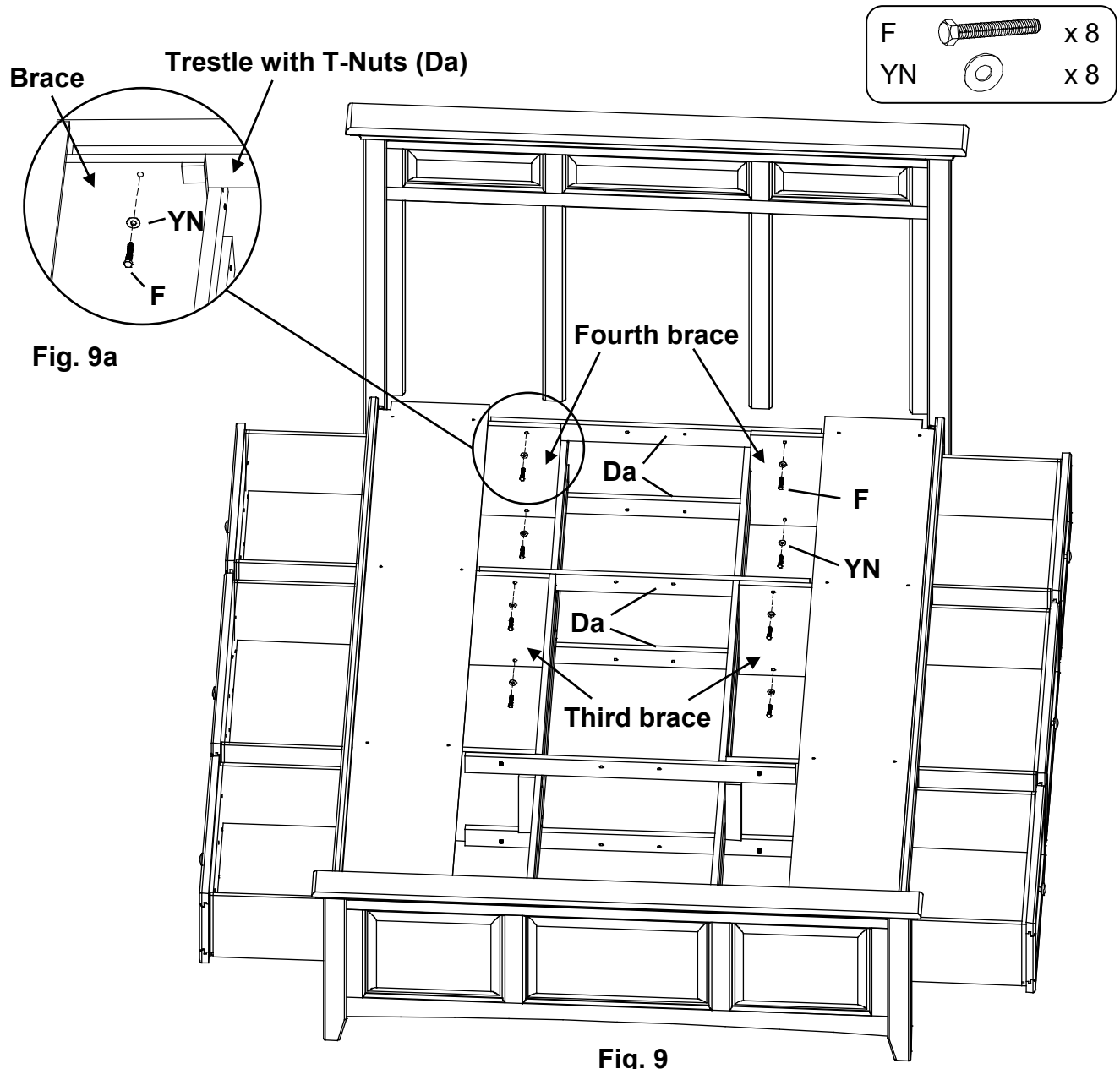
## Assembly Instructions

This assembly requires two people.

9. Face the Headboard and stand in between the third and fourth braces. Place a Trestle with T-Nuts (Da) on the outside surfaces of the third **upper** left and right braces so the T-nuts sit near the top. See Figures 6 and 6a. Line up the upper edges of the trestle and braces so they are nearly flush. Insert two 1/4" x 1-3/4" Hex Bolts (F) and Washers (YN) and tighten.

Place a Trestle with T-Nuts (Da) on the outside surface of the third left and right **lower** braces so that the T-nuts sit near the bottom. Line up the bottom edges of the trestle and braces so they are nearly flush. Insert two 1/4" x 1-3/4" Hex Bolts (F) and Washers (YN) and tighten. See Figures 9 and 9a.

Repeat for the fourth braces.



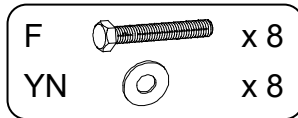
# 2319GACc 2319CAFc 2319FSTc McKenzie King Mantel Storage Bed

## Assembly Instructions

This assembly requires two people.

10. **NOTE:** There are blocks mounted on the back side of the Footboard to support the end of the pedestal eliminating the need for an Assembled Foot in this position where it would be easily visible. Do not attach an Assembled Foot in the position near the footboard.

Facing the Headboard, place two Assembled Feet (Ua) on the inside faces of the third and fourth upper and lower Trestles. Attach with Washers (YN) and 1/4" x 1-3/4" Hex Bolts (F). See Figures 10 and 10a.



Trestle with T-Nuts (Da)

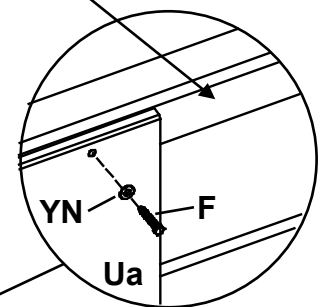


Fig. 10a

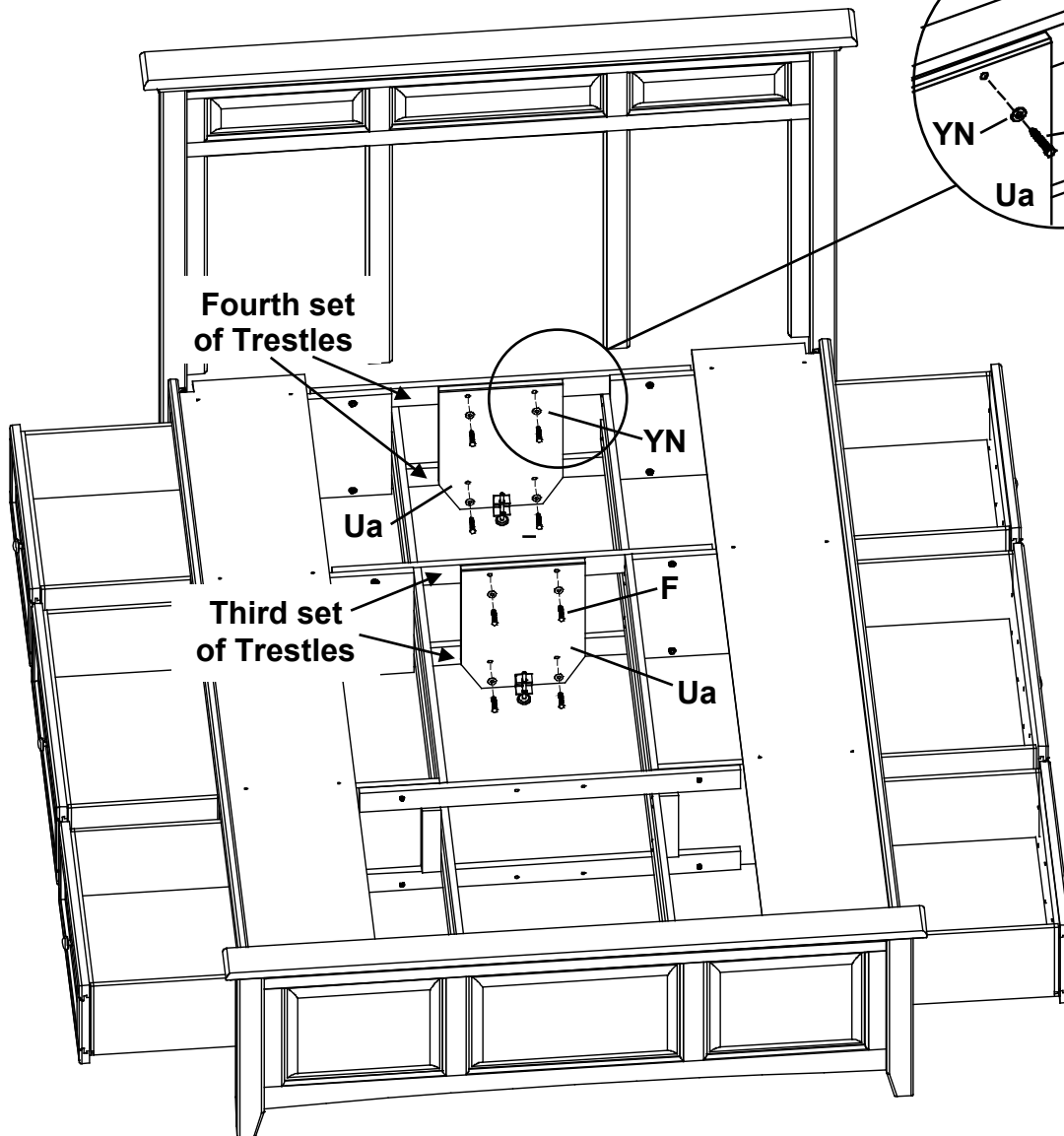


Fig. 10

# 2319GACc 2319CAFc 2319FSTc McKenzie King Mantel Storage Bed

## Assembly Instructions

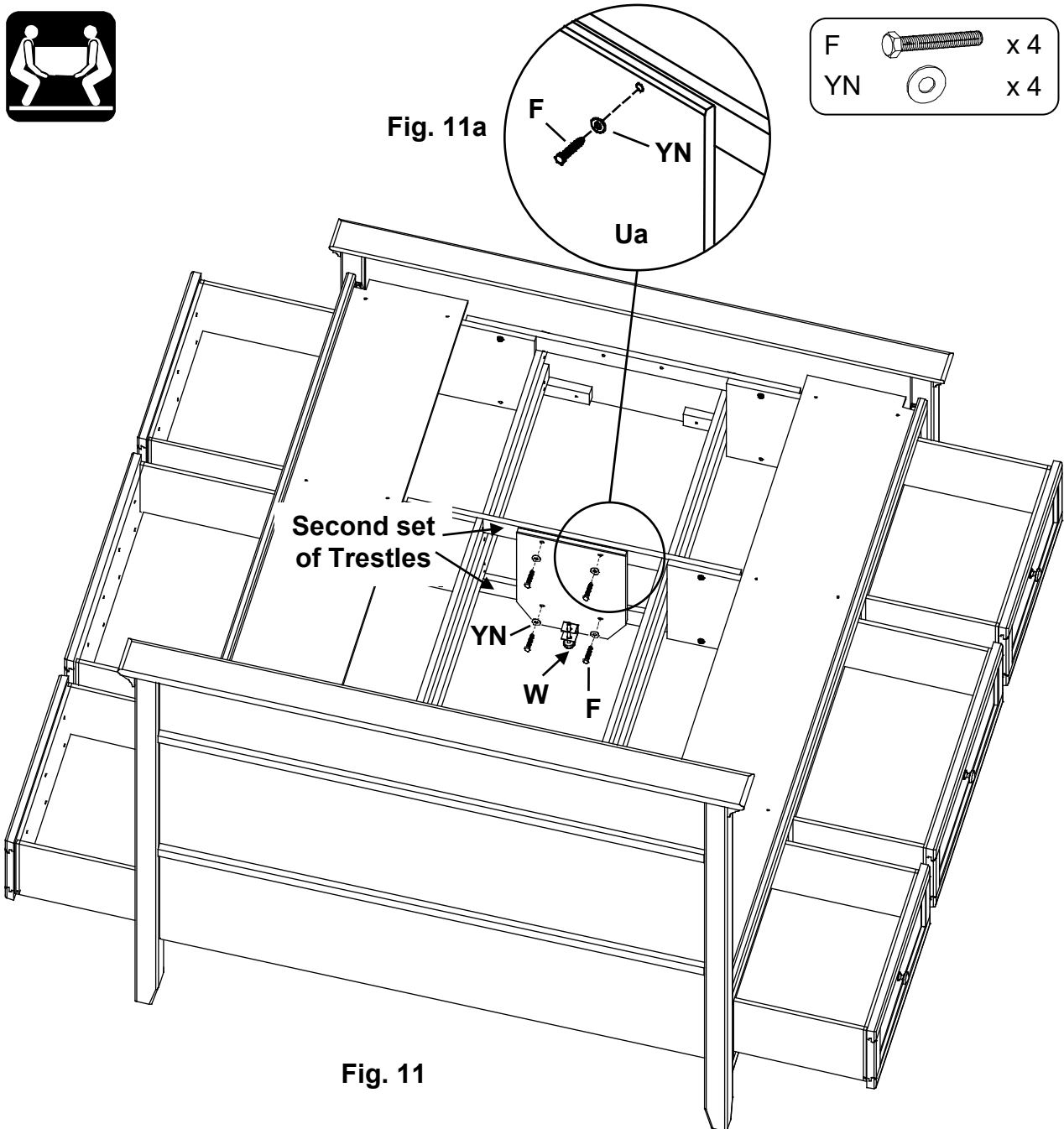
This assembly requires two people.

11. **NOTE:** There are blocks mounted on the back side of the Footboard to support the end of the pedestal eliminating the need for an Assembled Foot in this position where it would be easily visible. Do not attach an Assembled Foot in the position near the footboard.

Facing the Footboard, place an Assembled Foot (Ua) on the inside of the second set of Trestles and attach with four Washers (YN) and four 1/4" x 1-3/4" Hex Bolts (F). See Figures 11 and 11a.

Place your bed in its final position. Adjust all three Glides (W) found at the bottoms of the Assembled Feet so that the Glides just touch the floor.

**IMPORTANT:** Make sure the Glides touch the floor and carry weight.



# 2319GACc 2319CAFc 2319FSTc McKenzie King Mantel Storage Bed

## Assembly Instructions

This assembly requires two people.

12. Facing the Footboard, attach the Pedestal Assembly to the Footboard with a 90° Bracket (YG) and four #6 x 1/2" Philtruss Screws (YD). Repeat for the other side. See Figures 12 and 12a.

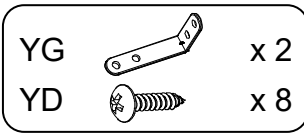


Fig. 12a

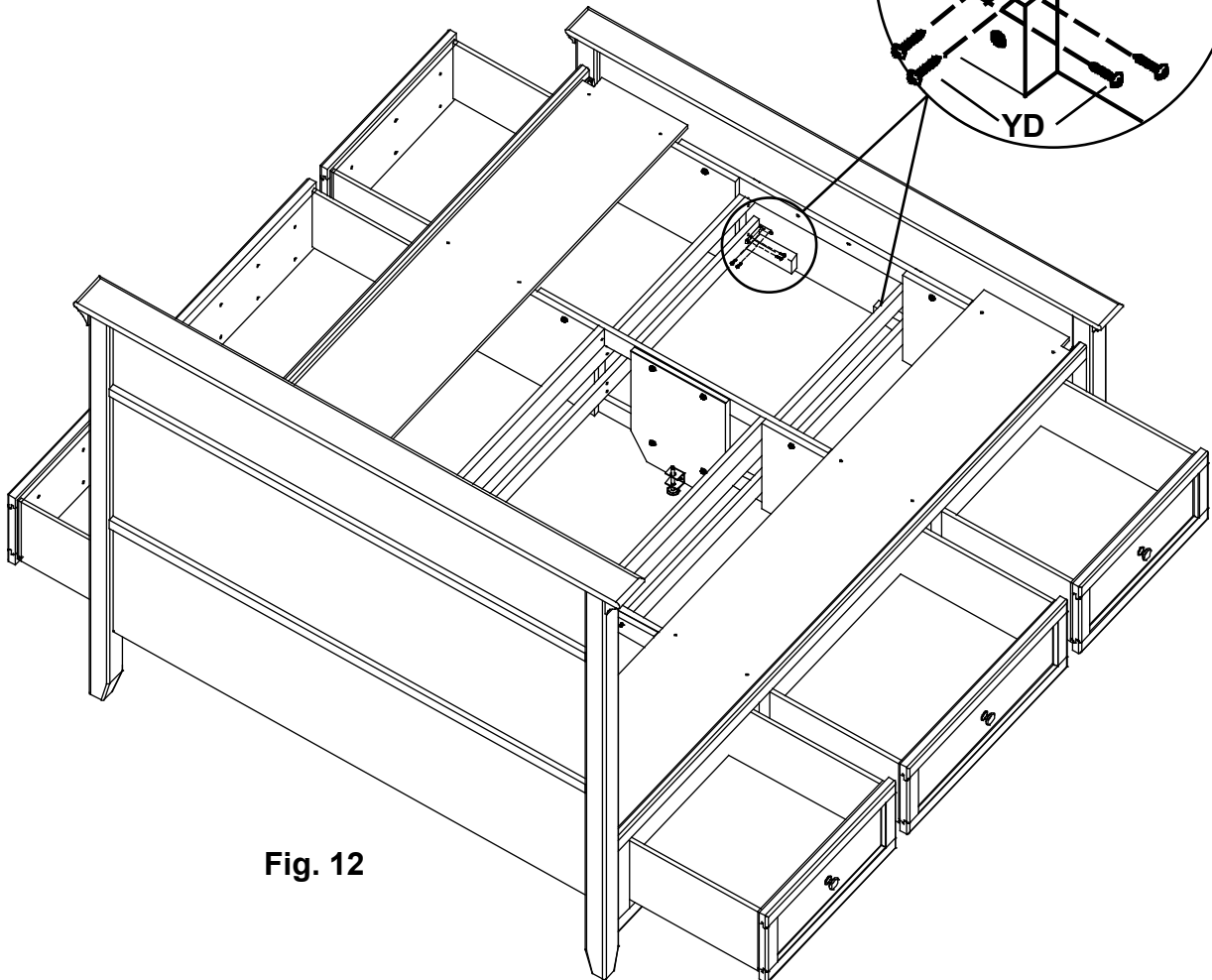
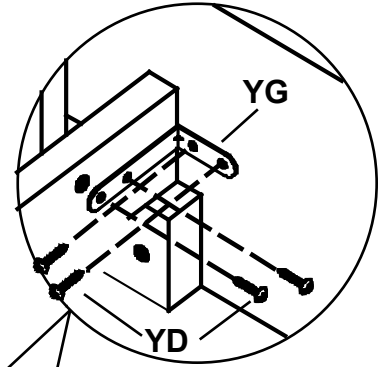


Fig. 12

# 2319GACc 2319CAFc 2319FSTc McKenzie King Mantel Storage Bed

## Assembly Instructions

This assembly requires two people.

13. To make sure the bed is square, measure the distance between opposing corners. If one of the measurements is larger, tap on a footboard leg until the measurement is equal. See Figure 13.

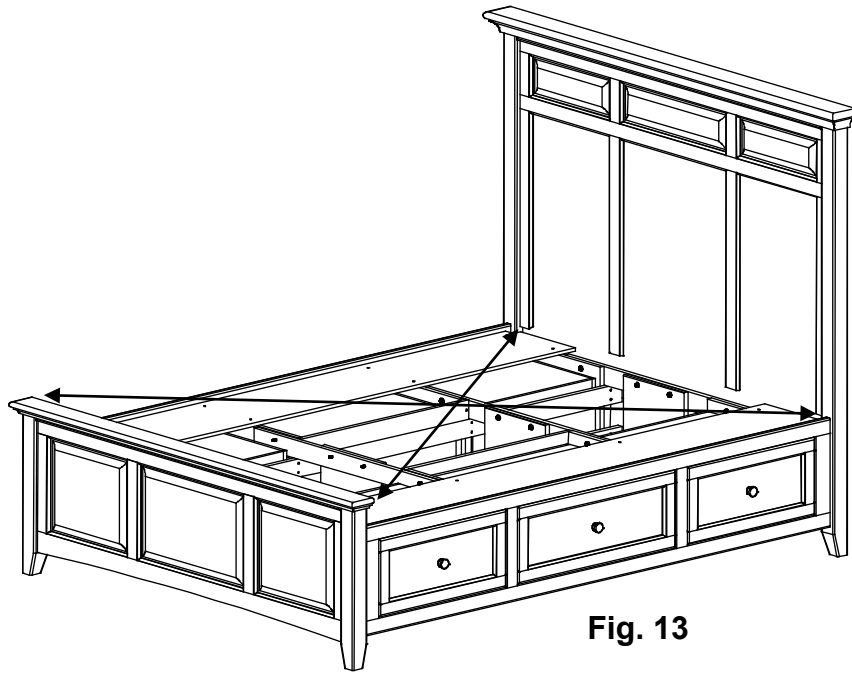


Fig. 13

14. Place the Deckboards (Pd) as shown in Figure 14 and secure with twenty-four #8x1-1/4" Black Screws (E). There should be a small gap between each deckboard.

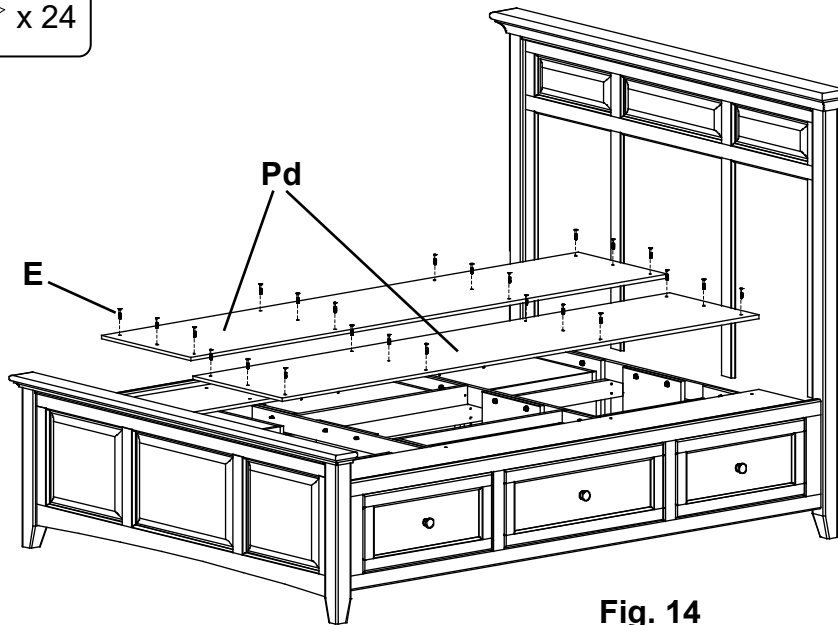
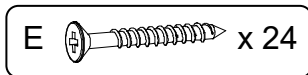


Fig. 14

# 2319GACc 2319CAFc 2319FSTc McKenzie King Mantel Storage Bed

## Assembly Instructions

This assembly requires two people.

15. Place the Center Deckboard (Rb) as shown in Figure 15 and secure with twelve #8 x 1-1/4" Black Screws (E).  
If you need to readjust the center feet, remove the Center Deckboard, adjust the glides and reattach the deckboard.

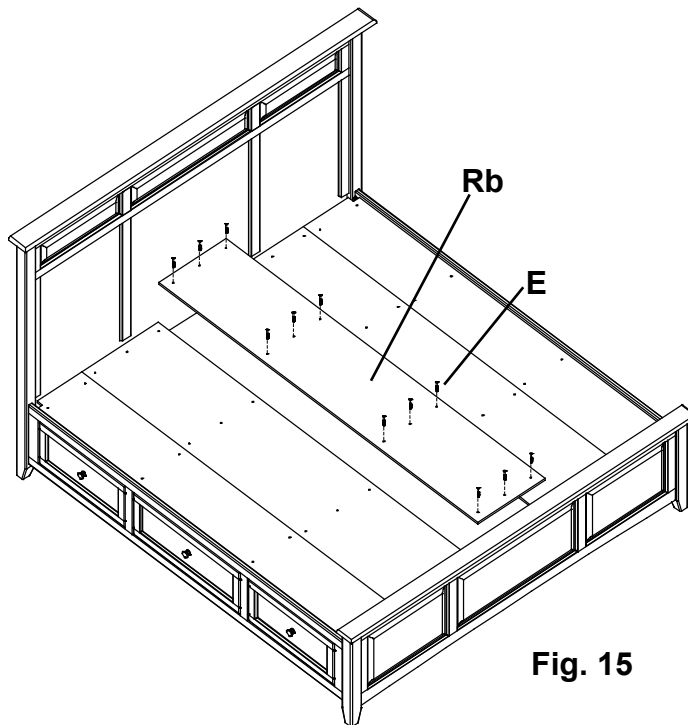
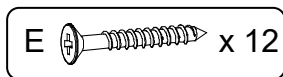
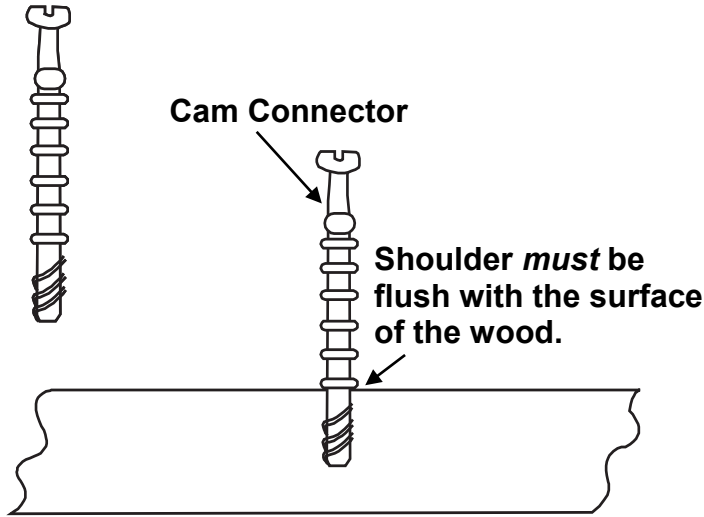


Fig. 15

# CAM - LOCK SYSTEM INSTRUCTIONS

**NOTE: To avoid scratching the surface of the wood, assemble the unit and place face-down on a clean, protected surface.**



**DO NOT embed the shoulder into the wood!**

1. Insert the Cam Housing so the arrow faces the Cam Connector. To achieve tension and holding power, you **MUST TURN** the Cam Housing clockwise at **LEAST 1/4 turn** to the 9:00 position. Turning the Cam Housing between 1/4 and 1/2 turn should be enough to ensure rigid tension. Tension should be initiated as soon as 10:00. You should receive optimum tightness at 11:00. IF this does not occur, tighten or loosen the Cam Connector to achieve proper tension.

2. You may need extra tension if:

- A. The Cam Connector was screwed in deeper or not as deep as it should.
- B. If the furniture is repeatedly assembled and disassembled.
- C. If you place a heavy load in the unit.

**To achieve extra tension, tighten the Cam Connector between the 11:00 and 12:00 positions.**

