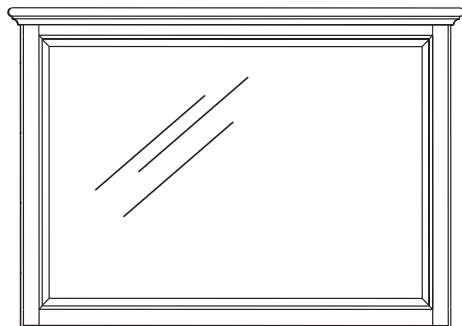
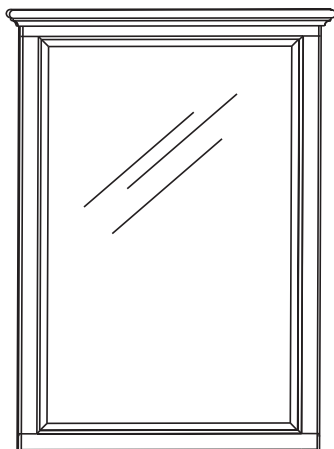


Model #

# 1500AUF, 1500AFGAC, 1500AFVCL

## Beveled Mirror

### Assembly Instructions



### **Congratulations!**

*This fine piece of furniture will make a handsome addition to your home. For the best results, start by reading the Finishing Hints (if you purchased the AUF Mirror) and/or the Assembly Instructions before you begin your project.*

**For normal household use only.  
NOT recommended for commercial use.**

**DESIGN SUBJECT TO CHANGE WITHOUT NOTICE.**

**Whittier  
Wood**<sup>TM</sup>  
FURNITURE

P.O. Box 2827  
Eugene, OR 97402 USA



## **CALL US FIRST!**

**DO NOT RETURN ITEM TO STORE**

**Service Policy:** We will replace any parts which are defective, missing or damaged during assembly. Please contact Whittier Wood Products customer service department directly (by phone, fax, mail or email) for replacement parts.

**Hours:** Our friendly customer service staff can be reached Monday-Friday 7:00 a.m. to 5:00 p.m. (Pacific Time). A message can be left 24 hours a day, 7 days a week.

**To Order:** Provide the complete furniture model number (upper left corner of this page), part letter, production code, quantity needed, reason for replacement and your full name and address along with a telephone number in case we need to contact you.

*Parts ship from our Eugene, Oregon factory within 1 or 2 business days from the time we receive the request. Please allow 5-10 business days for delivery.*

**800-653-3336**

Outside U.S. or Canada: 541-687-0213

Fax: 541-687-2060 • [www.whittierwood.com](http://www.whittierwood.com)

Mail: P.O. Box 2827 • Eugene, Oregon 97402, U.S.A.

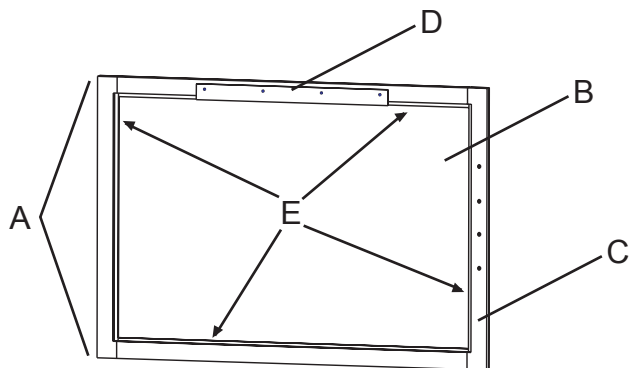
### **IMPORTANT NOTES:**

- Read both the Assembly Instructions and Finishing Hints completely before beginning.
- Store the parts: 1) in their box; 2) in a dry place; 3) in temperatures ranging from 40° to 90°. (Not on a cold, possibly damp, cement floor.)
- Inspect your furniture periodically for any loose glue joints or screws, or any other problem which may be affecting the stability of your furniture. Tighten or repair as needed.

Production Code:

# 1500AUF/AFGAC/AFVCL Beveled Mirror — Part List

*Before beginning assembly, check that the quantities of the parts received match those on the parts list below.*



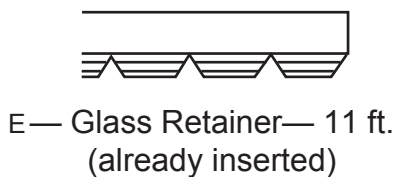
A — Mirror Assembly — Qty. 1

B — Mirror — Qty. 1

C — Mirror Frame — Qty. 1

D — Mirror Frame Bracket — Qty. 1

J — #6x5/8" Undercut Screw  
— Qty. 4 (already inserted)



E — Glass Retainer — 11 ft.  
(already inserted)



F — Short Top — Qty. 1

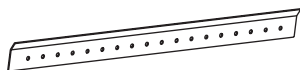


G — Long Top — Qty. 1

---

## HARDWARE

---



H — Mirror Wall Bracket — Qty. 1



I — #8x1-3/4" Pan Head Screw  
— Qty. 2

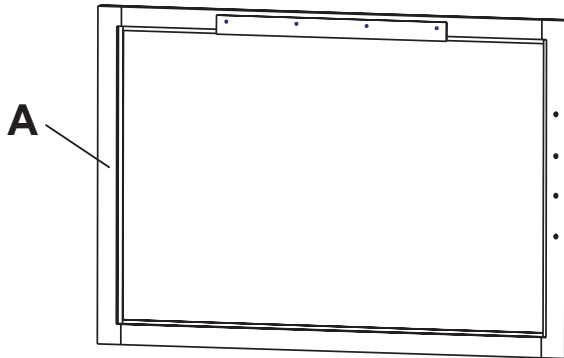
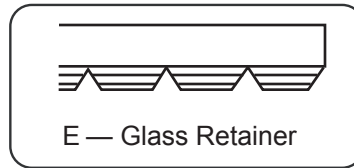


K — #8x1-1/4" Black Screw  
— Qty. 4

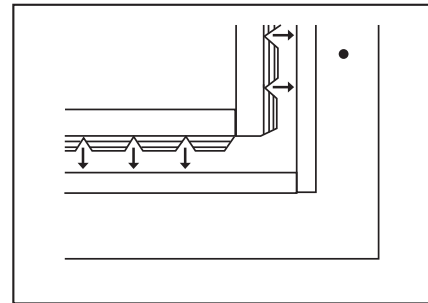
# 1500AUF/AFGAC/AFVCL Beveled Mirror ASSEMBLY INSTRUCTIONS

TOOLS REQUIRED: Phillips Head Screwdriver, Tape Measure

**STEP 1**



**FIG. 1**

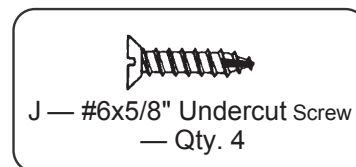
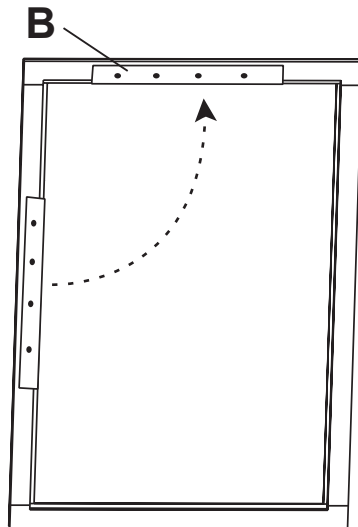


- 1) The Mirror Assembly (A) comes with the Mirror (B) in place for security during shipping. It is held in place by pieces of a Glass Retainer (E). If you need to remove the Glass Retainer (E) prior to finishing your Beveled Mirror (if you purchased the AUF version), place the Mirror Assembly (A) on a clean protected surface and remove the Glass Retainer (E).

After the finish is dry, replace the Glass Retainer pieces (E) as shown in Fig. 1a.

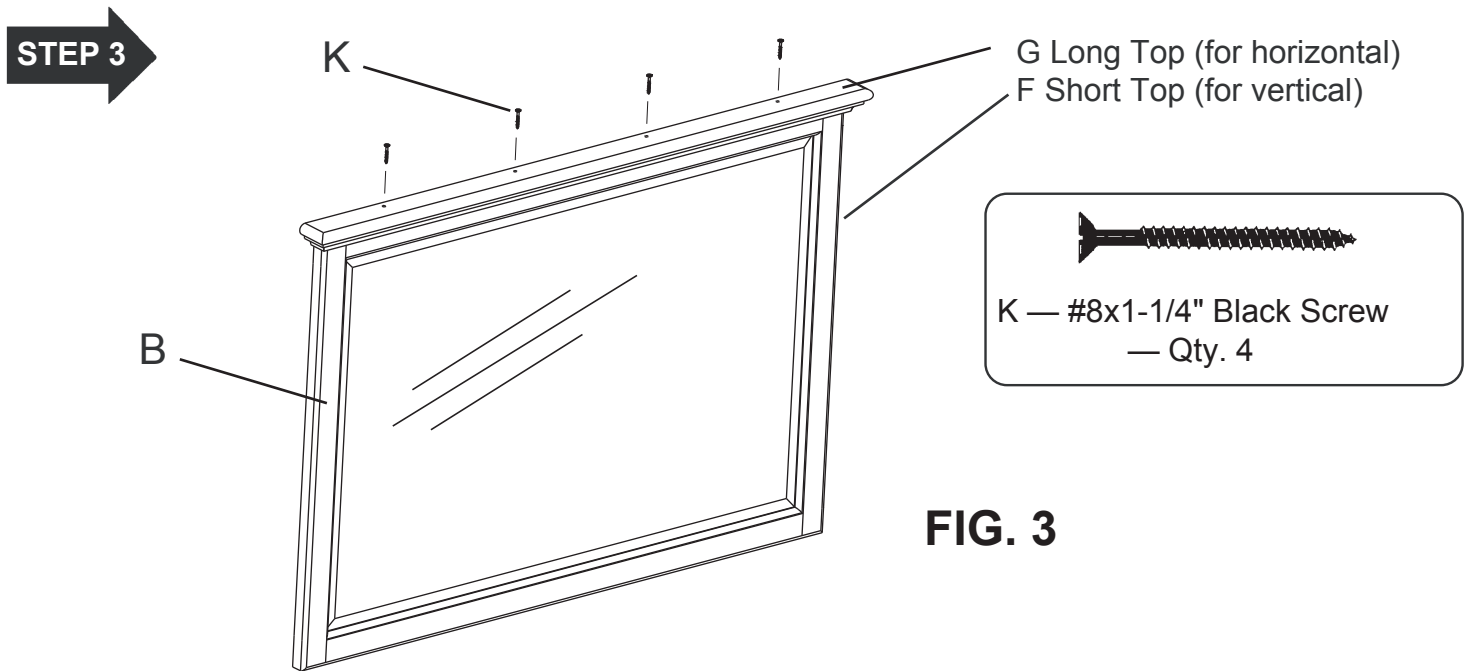
**CAUTION: DO NOT LEAN ON THE MIRROR WHEN WORKING ON THE FRAME.**

**STEP 2**

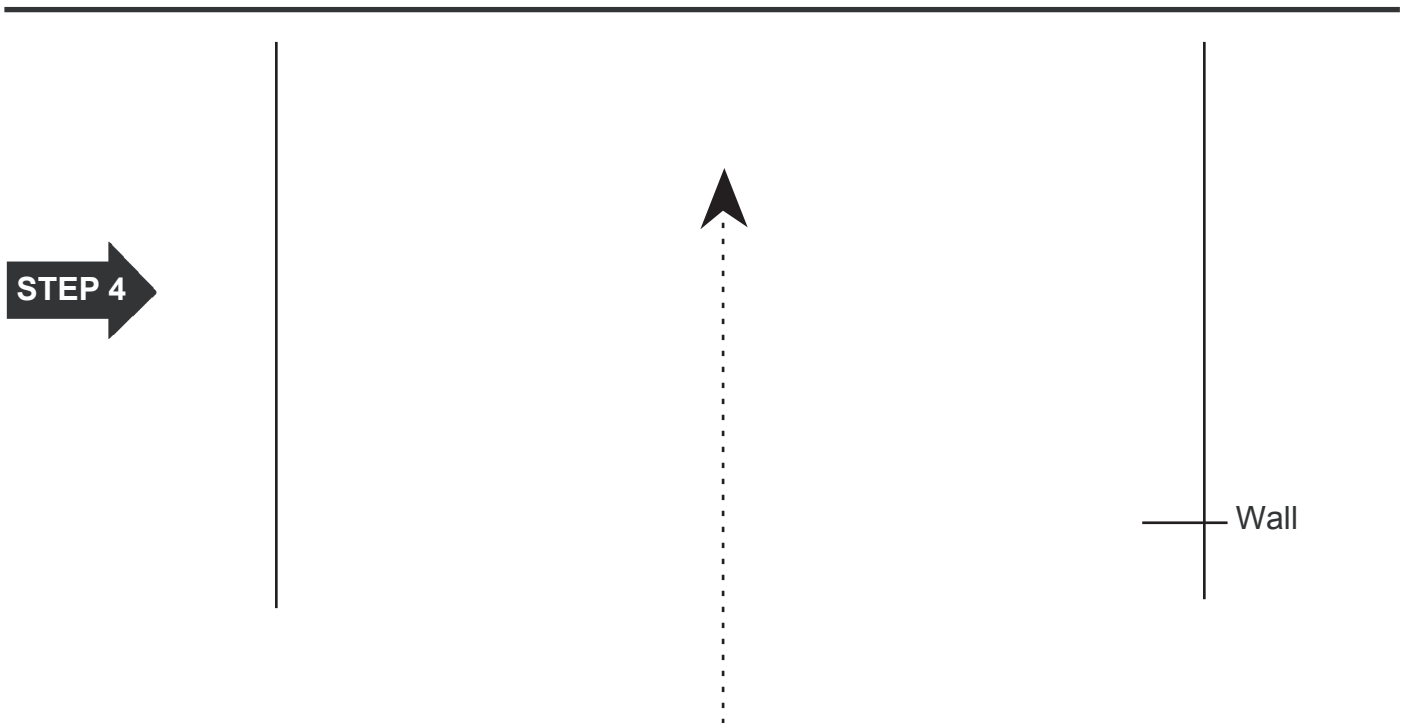


**FIG. 2**

- 2) Decide if you want your Beveled Mirror to hang either vertically or horizontally. If you want it to hang vertically, remove the Mirror Frame Bracket (D) and line it up to the predrilled holes on the short side of the Mirror Frame (B) as in Fig 2. Reattach with four #6x5/8" Undercut Screws.



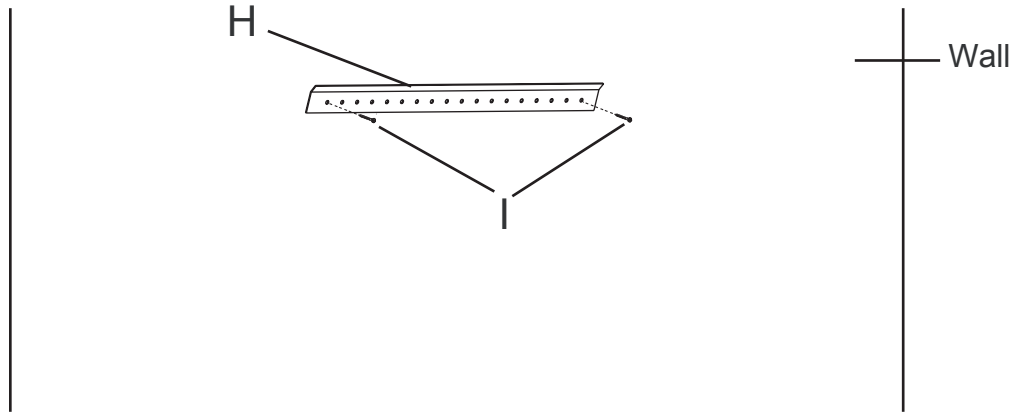
- 3) If you wish to attach a top, attach the Short Top (F) or the Long Top (G) to the Mirror Frame (C) with four #8x1-1/4" Black Screws (K) as shown in Fig. 3.



- 4) Determine where you want the bottom of your mirror to end and draw a faint pencil line on the wall. Using a tape measure, measure up 37-3/8" from that line (if your Beveled Mirror is vertical) or, if your Beveled Mirror is horizontal, measure up 25-3/8". Draw another faint line. The top line is where you will be attaching the Mirror Wall Bracket (H). If you like, you may erase the faint bottom pencil mark.

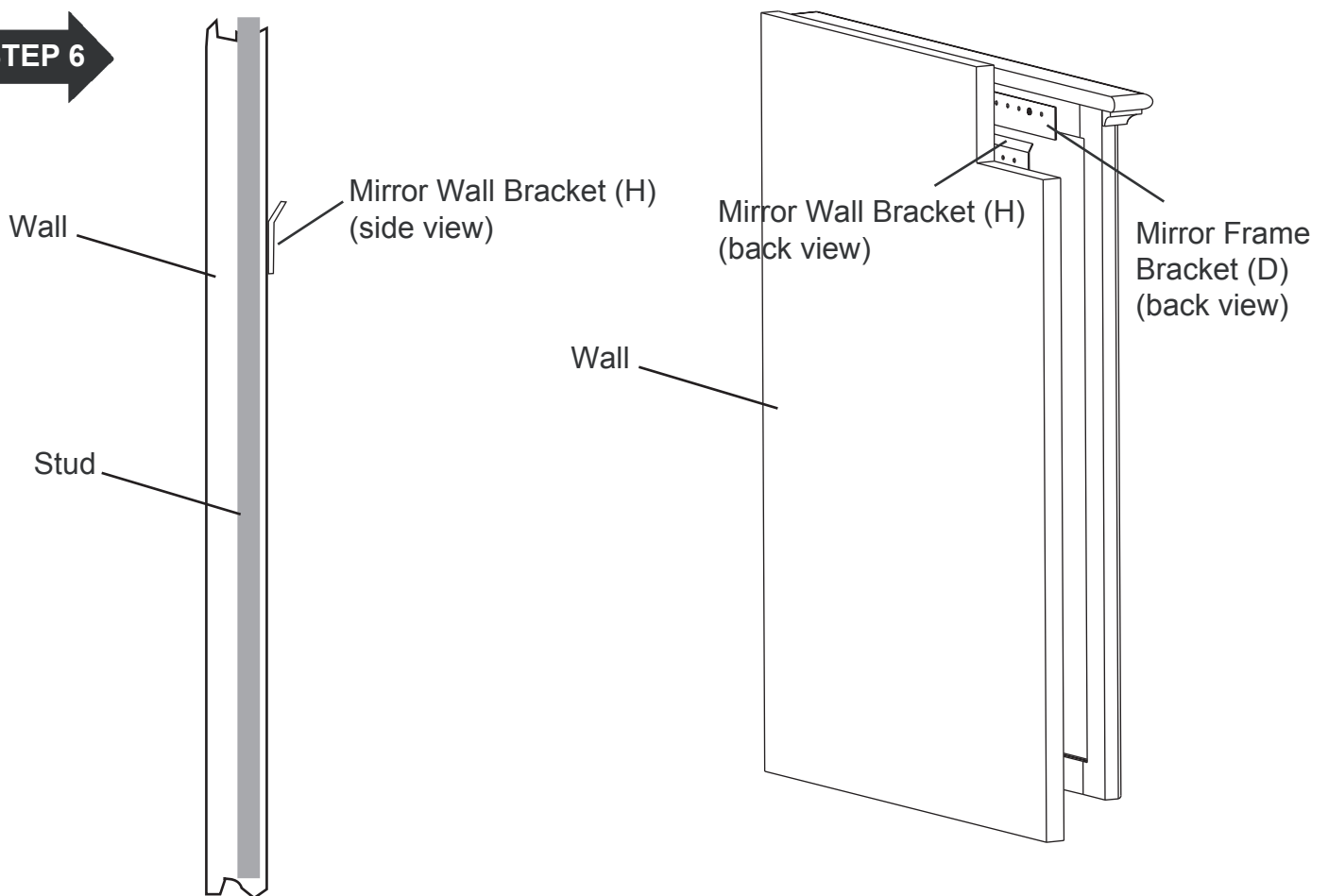


**STEP 5**



- 5) Locate two studs in the wall behind the space where you want to hang your Beveled Mirror. Affix the Mirror Wall Bracket (H) into the studs with two #8x1-3/4" Pan Head Screws. **If you cannot locate two studs**, purchase proper wall attachment hardware for your type of wall and secure the bracket.

**STEP 6**



- 6) NOTE: The Mirror Wall Bracket (H) angles out at the top. When you hang your Beveled Mirror, the Mirror Frame Bracket (D) fits over the angled part of the Mirror Wall Bracket (H).

# Finishing Hints

## Choosing the Finish:

1. Choose a finish that will meet your expectations for the product you are finishing. Are you matching existing furniture or do you want a “natural” finish? Is the piece to be functional, decorative or both? The answers to these questions may affect the type of finish you choose.
2. Use products of the same brand to ensure compatibility of products.
3. **ALWAYS** follow the stain manufacturer’s instructions. Pine is a porous wood and looks best when following the finishing instructions for softwoods.
4. We recommend using a wood conditioner under oil base stains.
5. Work in a well ventilated and well lit area.

## Getting Started:

1. **Assembly Instructions may contain special finishing information for that item.** Read both the Assembly Instructions and these Finishing Hints completely before beginning.
2. Sand the entire piece, using #220 grit sandpaper. Sand with the grain of the wood on flat surfaces and opposite the grain on turnings. Some parts are plywood. Be careful not to sand through the veneer. End grain (table top ends, seat edges, grooves on turnings, etc.) accepts more stain. Extra sanding in these areas with a #320 grit sandpaper will reduce stain absorption, creating a more evenly stained piece.
3. When sanding is completed, wipe the surface of your furniture with a cloth or tack rag. Make sure the item is free of dust before proceeding.
4. For most products, we recommend preparing and staining the wood prior to assembly. Due to the assembly procedures for chairs, rockers and stools, we recommend assembling these items prior to finishing.
5. If you do choose to finish chairs, rockers or stools prior to assembly, it is **imperative** that you protect the ends of dowels and spindles, and the mortise holes where the wood is joined, from finishing products. Use masking tape around the ends, being careful to cover only the section that will be inserted (remove the tape after the finish has dried and before the furniture is assembled). Wood glue **will not bond** if finishing products are present. If you do get finishing product in these areas, it must be removed to ensure proper bonding.
6. If glue is used in assembly of your furniture, remove any excess glue spots or drips before finishing. Wood surfaces with glue **WILL NOT** accept stains, and will leave a light spot. To remove glue, wipe off as much as possible while wet, then lightly sand the surface until the remaining glue is removed.

## Basic Equipment:

- Rubber gloves
- Rags
- Paper towels
- Q-tips
- Tack cloth
- Drop cloth
- Paint brushes  
(bristle and foam)
- #220 & #320  
sandpaper
- Mineral spirits
- Masking Tape

## Gluing Hints:

***These are general hints. Refer to the instruction sheet for detailed information on gluing your specific product. Your unit may not need glue.***

1. We **strongly** recommend that you first lay out all the parts and familiarize yourself with how they fit together before assembling with glue. Glue will set up quickly and can cause damage to the parts if you try to reposition any that have been assembled incorrectly.
2. Glue usually takes several hours to cure (or harden) but it will sometimes set up, or grab, in several seconds. Therefore, once you begin final assembly, be sure to proceed quickly and diligently.

### ***Gluing Hints (cont.)***

3. We recommend that you use a good wood glue, such as ***Elmer's Wood Glue*** or ***White Glue, Tite-bond Wood Glue*** or the equivalent; unless the instructions call for a special type such as a slow drying epoxy glue. Carefully read the glue manufacturer's label and follow all instructions.
4. Be sure the holes are clear of any dust so the glue will have a clean surface to adhere to. Blowing in the holes before gluing is recommended, ***but be sure to protect your eyes.***
5. ***Avoid getting glue on surfaces to be finished!*** Most stains or finishes will not penetrate where glue has been spilled. Wet glue can be wiped off with a damp cloth. Follow with a light sanding of the area to ensure a proper finish.
6. ***Do not over glue!*** It is important to apply an even coat inside all holes and slots. Use a small dowel or pencil to spread glue evenly around the inside of the holes. Because of the fit of the spindles or dowels in the holes, the spindle or dowel pushes glue to the bottom of the hole. If too much glue is used, it will fill the hole and not allow the spindle or dowel to go all the way in.

---

### **Staining:**

1. Read and follow label directions. Stir stain well before starting.
2. Test stain on an inconspicuous spot on your project, or use the sample chip if one is provided. The sample chip must be sanded in the same way as your furniture kit to ensure the piece will accept the stain similarly. Put at least one coat of your top coat over the stain sample, as it also affects the look of the stain. ***Test every type of wood that is in your kit.*** Some of our products include more than one type of wood, which may react differently to the stain color. Sample chips for the different woods may be included. It may be necessary to add a second coat of stain to lighter woods to match the darker woods in your kit.
3. Apply stain with a poly brush or lint-free cloth. Apply stain over a small area and wipe off excess. Working in small areas will make the color easier to control.
4. Q-tips are ideal for hard to reach areas.
5. Allow to dry thoroughly before proceeding.

---

### **Applying the Top Coat:**

***No top coat is required if using paint.***

1. ***Always read and follow all label directions.*** Stir your finish coat gently, ***do not shake.*** It will create bubbles that are hard to remove.
2. **All surfaces** (including the underside of table tops and inside drawers) **must be sealed with at least one layer of a top coat.** This will help minimize wood swelling, shrinkage, warping and cupping due to changes in moisture content or temperature.
3. We recommend that you **apply a minimum of two coats when using polyurethane or varnish (especially on all table top and work surfaces).** Sand lightly between coats using a #320 grit sandpaper or 00 steel wool for the smoothest possible finish.
4. Some water-based finishes tend to raise the grain slightly. This can be easily controlled with this sanding step. However, do not use steel wool when using water-based finishes. Strands of steel fiber caught in the wood can cause rust spots when coated with any water-based product.

---

### **Painting:**

1. For best results when painting, first coat the wood with a primer. An oil based primer would be best for a smooth finish. If you do not wish to use a solvent based primer, a water based primer would work almost as well.
2. Buy a quality brand paint. You may use a satin, semi-gloss, or gloss sheen. Apply a second coat for a smooth finish. Lightly sand between coats using a #320 grit sandpaper, so that the second coat will bond well. Repeat as desired.
3. Since there is such a variation between paint manufacturers, refer to your paint supplier for specific advice on using the paint that you purchase.