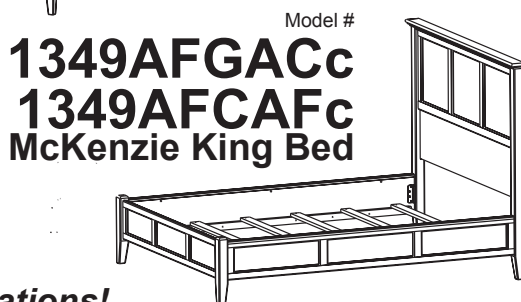


McKenzie Bed Collection

AFGAC = Glazed Antique Cherry finish

AFCAF = Caffè finish

Assembly Instructions



Congratulations!

This fine piece of furniture will make a gorgeous addition to your home. For the best results, read the Assembly Instructions and before you begin your project.

IMPORTANT NOTES:

- For normal household use only. **Not** recommended for commercial use.
- Unload items before you move this unit.
- Before you load or move this unit, check to make sure all screws and supports are tight.
- Before you begin your project, completely read the Assembly Instructions.
- Store this item: 1- in its box; 2- in a dry place; 3- in temperatures that range from 40°F to 90°F (not on a cold and possibly damp cement floor).
- Periodically inspect your furniture for any loose glue joints, screws or any other problem that might affect the stability of your furniture. Tighten or repair as needed.
- This assembly requires two people.

DESIGN SUBJECT TO CHANGE WITHOUT NOTICE.



CALL US FIRST! *Do not return this item to the store.*

Service Policy: We will replace any part that is defective, missing or damaged during assembly. Please contact Whittier Wood Products customer service department directly by phone, fax, mail or email for a replacement part.

Hours: Our friendly customer service staff can be reached Monday-Friday 7:00 a.m. to 5:00 p.m. (Pacific Time). You may leave a message 24 hours a day, seven days a week.

To Order: Designate the finish, provide the furniture model number (found next to the illustration of your unit), the part letter, production code, quantity needed, reason for replacement, your full name, address and telephone number.

Parts ship from our Eugene, Oregon factory within one or two business days from the time we receive your request. Please allow five to ten business days for delivery.

800-653-3336 • Outside the U.S. or Canada: 541-687-0213 • Fax: 541-687-2060
www.whittierwood.com • P.O. Box 2827 • Eugene, Oregon 97402, U.S.A.

Whittier
Wood
FURNITURE

P.O. Box 2827
Eugene, OR 97402 USA

Production Code:

VN

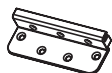
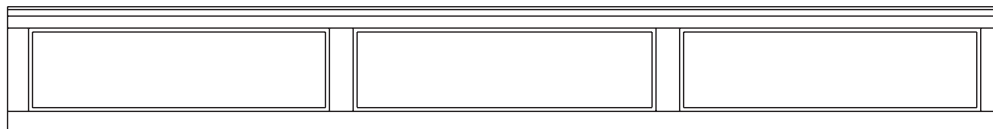
05/10

1341AFGACc or 1341CAFc McKenzie Twin Bed; 1346AFGACc or 1346CAFc McKenzie Queen Bed; 1349AFGACc or 1349CAFc McKenzie King Bed — Parts List

Please identify the parts and check that quantities received match those on this list.
If you need to replace a part, refer to the following letter and model name.

1342AFGACb Twin Bed 1342AFCAFb Twin Bed Headboard/Footboard Kit		1347AFGACb Queen Bed 1347AFCAFb Queen Bed Headboard/Footboard Kit		1350AFGACb King Bed 1350AFCAFb King Bed Headboard/Footboard Kit	
Item	Description Qty.	Item	Description Qty.	Item	Description Qty.
A	Headboard 1	A	Headboard 1	A	Headboard 1
B	Footboard 1	B	Footboard 1	B	Footboard 1
C	Slat 5	Cb	Slat 5	Cb	Slat 5
M	T-Nut (inserted) 0	M	T-Nut (inserted) 5	M	T-Nut (inserted) 5
Db	Assembled Foot 0	Db	Assembled Foot 4	Db	Assembled Foot 4
L	Adjustable Glide (installed) . 0	L	Adjustable Glide (installed) . 4	L	Adjustable Glide (installed) . 4
M	T-Nut (installed) 0	M	T-Nut (installed) 4	M	T-Nut (installed) 4
Q	Hanger Bolt (inserted) 0	Q	Hanger Bolt (inserted) 4	Q	Hanger Bolt (inserted) 4
E	#8 x 1-1/4" Black Screw . . . 10	E	#8 x 1-1/4" Black Screw . . . 10	E	#8 x 1-1/4" Black Screw . . . 10
H	6x12mm Hex Bolt 8	H	6x12mm Hex Bolt 8	H	6 x 12mm Hex Bolt 8
I	Male Bracket (attached) . . . 4	I	Male Bracket (attached) . . . 4	I	Male Bracket (attached) . . . 4
J	1/4" Lock Washer 8	J	1/4" Lock Washer 8	J	1/4" Lock Washer 8
K	#8 x 1" Black Screw (inserted) 16	K	#8 x 1" Black Screw (inserted) 16	K	#8 x 1" Black Screw (inserted) 16
N	5mm Hex Wrench 1	N	5mm Hex Wrench 1	N	5mm Hex Wrench 1
U	Slat Support (attached) 0	U	Slat Support (attached) 1	U	Slat Support (attached) 1
V	#8 x 1-3/4" Pan Head Screw (inserted) 0	V	#8 x 1-3/4" Pan Head Screw (inserted) 3	V	#8 x 1-3/4" Pan Head Screw (inserted) 3
S	#8 x 1-5/8" Black Screw (inserted) 4	S	#8 x 1-5/8" Black Screw (inserted) 4	S	#8 x 1-5/8" Black Screw (inserted) 4
T	#8 x 20mm Pan Head Screw (inserted) 27	T	#8 x 20mm Pan Head Screw (inserted) 36	T	#8 x 20mm Pan Head Screw (inserted) 42

1343AFGACc or 1343CAFc Twin Bed Rail Kit; 1348AFGACc or 1348CAFc Queen/King Bed Rail Kit



Gc — Rail — Qty. 2

O — Female Bracket
— Qty. 4 (attached)

S — #8 x 1-5/8" Black Screw
— Qty. 16 (inserted) (**1343AFGACc; 1343AFCAFc**)
— Qty. 22 (inserted) (**1348AFGACc; 1348AFCAFc**)

K — #8 x 1" Black Screw
— Qty. 16 (inserted)

R — #6 x 3/4" Flat Head
Screw — Qty. 14 (inserted)

T — #8 x 20mm Pan Head
Screw — Qty. 16 (inserted)

1341AFGACc or 1341AFCAFc McKenzie Twin Bed; 1346AFGACc or 1346CAFc McKenzie Queen Bed; 1349AFGACc or 1349AFCAFc McKenzie King Bed Assembly Instructions

This Assembly Requires Two People

Tools Required: 5mm Hex Wrench (provided) and Phillips Screwdriver

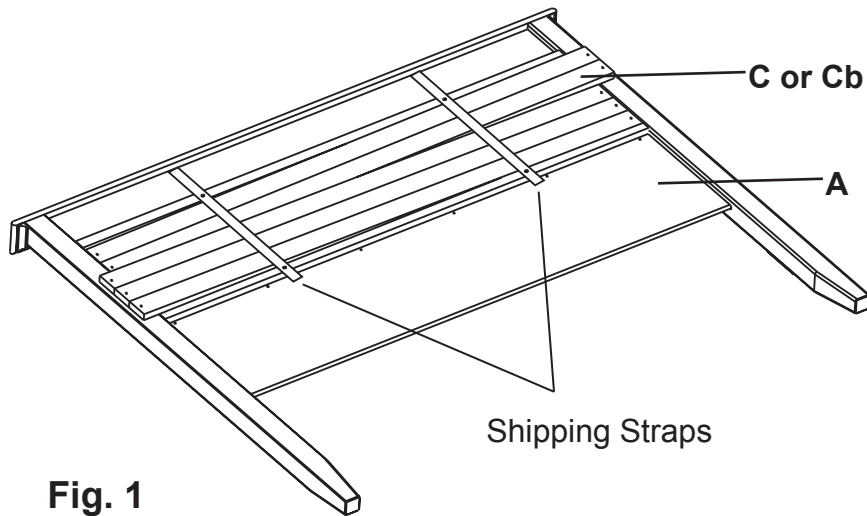


Fig. 1

1346AFGACc shown in illustrations.

1. Remove the Slats (C or Cb) from the back of the Headboard (A) as seen in Figure 1 and place them off to the side.

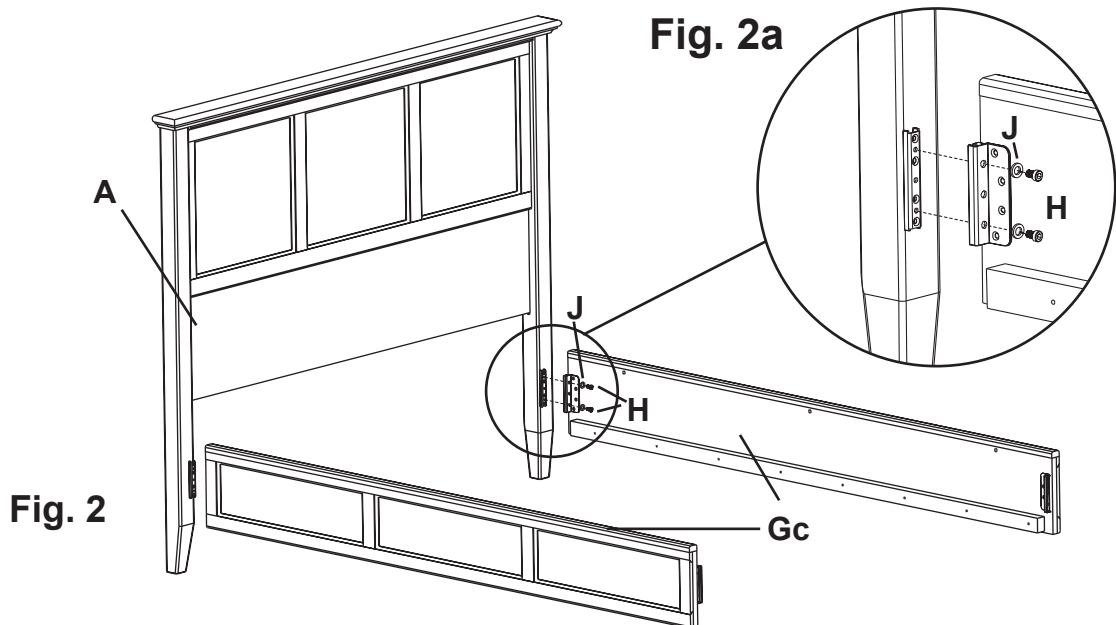


Fig. 2

Fig. 2a

2. Using the Hex Wrench (N) provided, attach the Rails (Gc) to the Headboard (A) with 6 x 12mm Hex Bolts (H) and 1/4" Lock Washers (J) as shown in Figures 2 and 2a.



Fig. 3

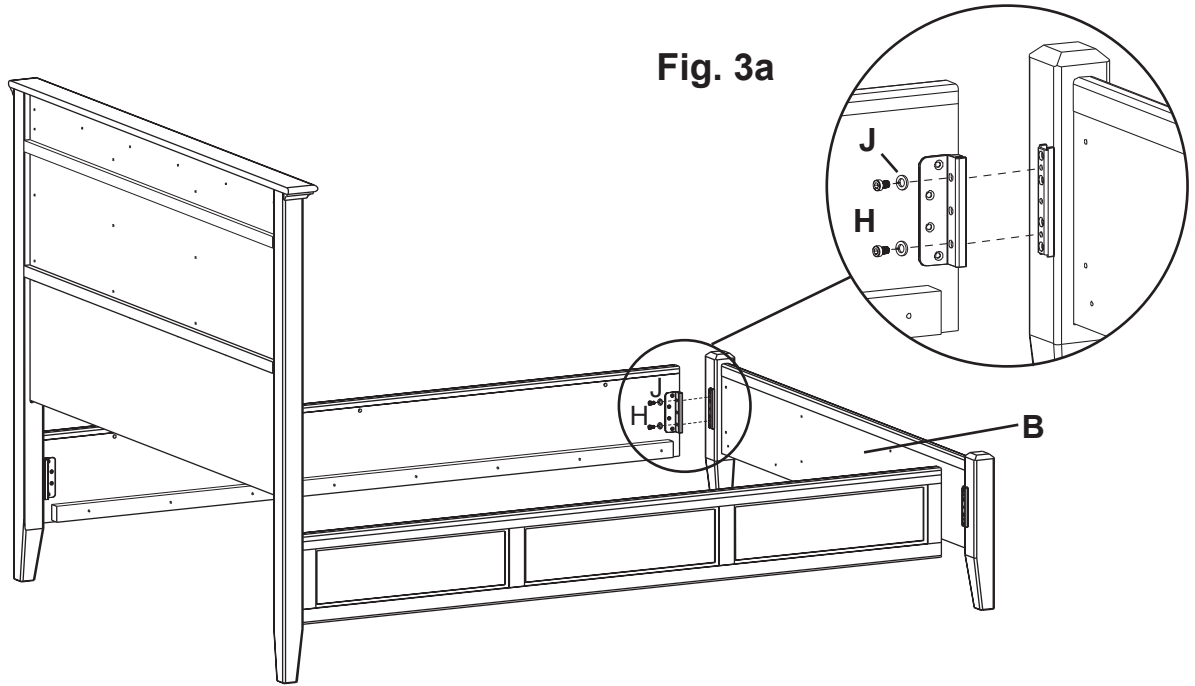


Fig. 3a

3. Using the Hex Wrench (N) provided, attach the Footboard (B) to the Rails with 6 x 12mm Hex Bolts (H) and 1/4" Lock Washers (J) as shown in Figures 3 and 3a.
-

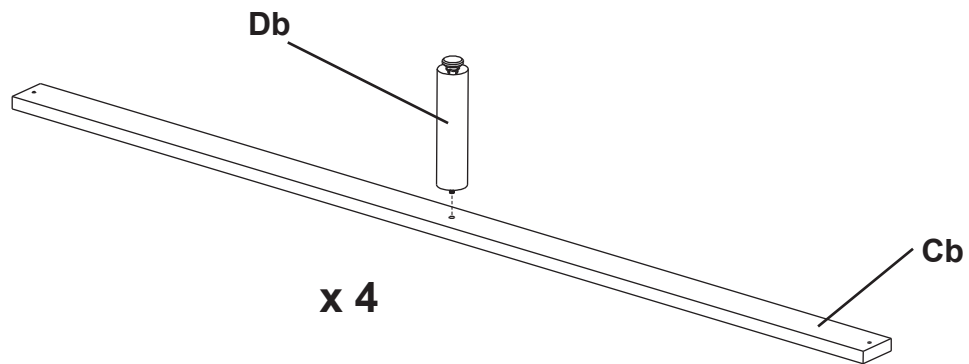
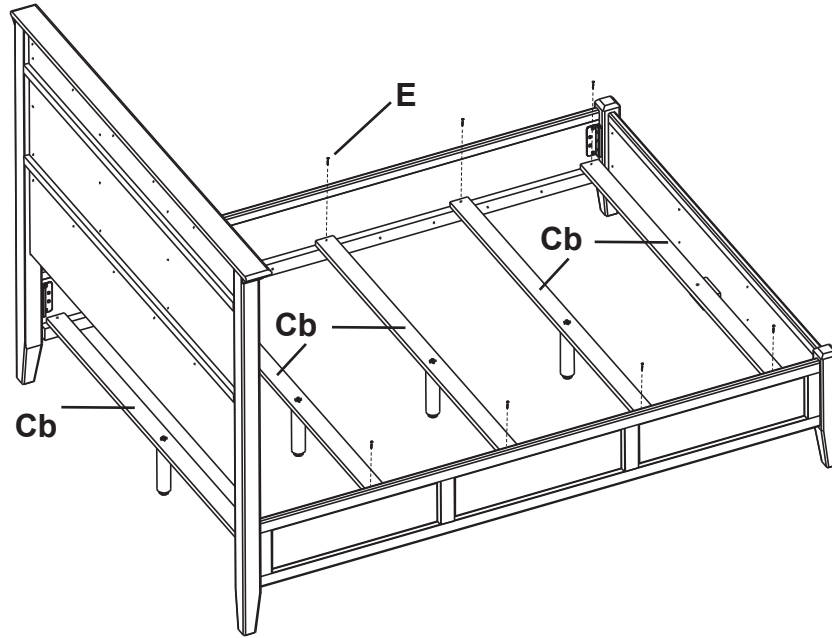


Fig. 4

NOTE: Not applicable for the Twin Bed.

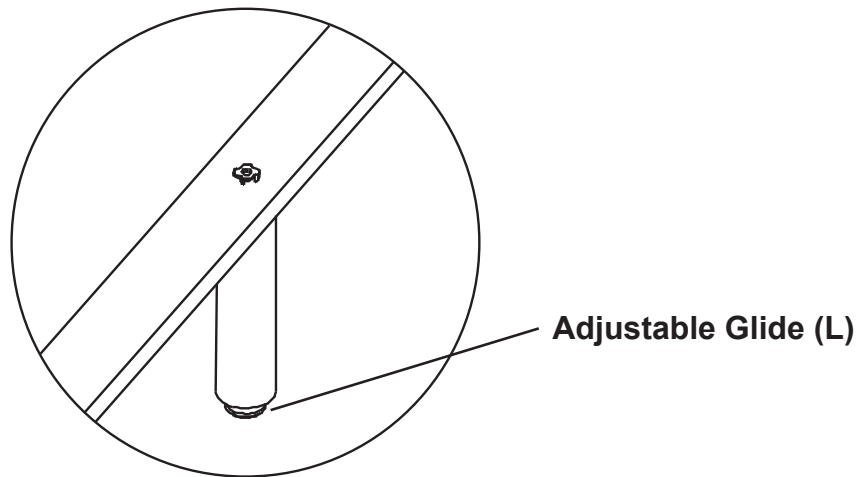
4. Attach an Assembled Foot (Db) to four of the Slats (Cb) as shown in Figure 4.

Fig. 5



5. Position the Slats (C for Twin; Cb for Queen or King) on the bottom edges of the rails as shown in Figure 5. Attach with #8 x 1-1/4" Black Screws (E). For the Queen or King bed, place the slat without the Foot Assembly attached nearest to the Footboard. See Figure 5.
-

Fig. 6



- NOTE: Not applicable for the Twin Bed.**
6. Adjust the Glides (L) on the Foot Assemblies (Db) so the Glides just touch the floor. Sleep well, and enjoy!