

Prairie City Mantel Beds

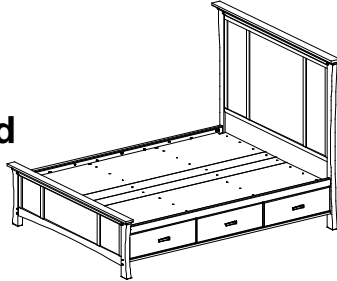
LSO = Summer Oak finish

DAO = Autumn Oak finish

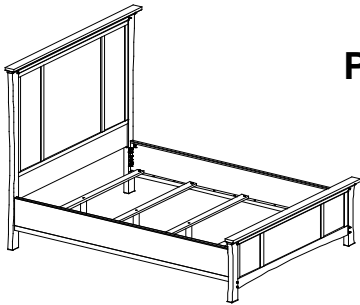
Assembly Instructions

Model #

1254LSOc
1254DAOc
Prairie City Queen
Mantel Storage Bed



1259LSOc
1259DAOc
Prairie City King
Mantel Storage Bed



1274LSO
1274DAO
Prairie City Queen
Mantel Bed

1277LSO
1277DAO
Prairie City King
Mantel Bed

Thank you for allowing us to help you furnish your home. We are certain you will be delighted with your new furniture for many years to come.

IMPORTANT NOTES:

- For normal household use only. *Not* recommended for commercial use.
- Remove items before you move this unit.
- Do not overload the drawers.
- This assembly requires two people.

WARNING

Drilling, sawing, sanding or machining wood products can expose you to wood dust, a substance known to the state of California to cause cancer. Avoid inhaling wood dust or use a dust mask or other safeguards for personal protection.

For more information go to: www.p65warnings.ca.gov/wood

This product can expose you to chemicals, including formaldehyde, which are known to the State of California to cause cancer. For more information go to: www.p65warnings.ca.gov/furniture

DESIGN SUBJECT TO CHANGE WITHOUT NOTICE.

CUSTOMER SERVICE

If you ever have questions about your furniture, please do not hesitate to contact us. In the unlikely event you need a replacement part; we can make those parts available through an authorized Whittier Wood Furniture dealer. If you cannot order replacement parts through your dealer, please contact our customer service department.

Hours: Our friendly customer service staff can be reached:

Monday-Friday 8:00 a.m. to 5:00 p.m. (Pacific Time).

You may leave a message 24 hours a day, seven days a week.

Customer Service: 800-653-3336 • Outside the U.S.: 541-687-0213

Fax: 541-687-2060 • Email: info@whittierwood.com

Whittier
Wood
FURNITURE

P.O. Box 2827
Eugene, OR 97402 USA

Production Code:

VN

05/17

**1254LSOc 1254DAOc Prairie City Queen Mantel Storage Bed
 1259LSOc 1259DAOc Prairie City King Mantel Storage Bed
 1274LSO 1274DAO Prairie City Queen Mantel Bed
 1277LSO 1277DAO Prairie City King Mantel Bed**

Parts List

Please note this Assembly Instruction is for Prairie City Mantel Storage Beds (#1254 Queen and #1259 King), and Prairie City Mantel Rail Beds (#1274 Queen and #1277 King). The Parts Lists for each component follow.

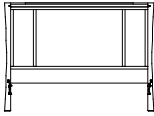
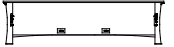
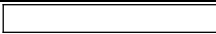
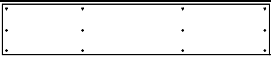
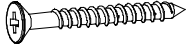


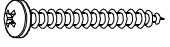
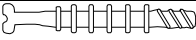


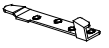


Please identify the parts and check that the quantities received match those on this list. If you need to replace a part, refer to the model number, part letter and name.

**1257LSO 1257DAO
 Queen Headboard/Footboard Kit (x1)**

Part	Description	Quantity
A	Headboard Assembly	1
B	Footboard Assembly	1
U	#8 x 1" Black Screw (inserted)	16
ZN	#8 x 2" Black Screw (inserted)	4
ZO	Left Bed Bracket (attached)	2
ZP	Right Bed Bracket (attached)	2
ZV	#8 x 1-5/8" Black Screw (inserted)	8


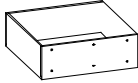
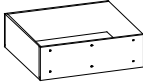


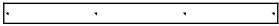







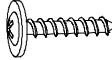


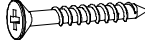




1254LSOc 1254DAOc Prairie City Queen Mantel Storage Bed
1259LSOc 1259DAOc Prairie City King Mantel Storage Bed
1274LSO 1274DAO Prairie City Queen Mantel Bed
1277LSO 1277DAO Prairie City King Mantel Bed
Parts List

1261LSO 1261DAO King Headboard/Footboard Kit (x1)

Part	Description	Quantity
A	Headboard Assembly 	1
B	Footboard Assembly 	1
C	King Trestle (27-9/16") 	4
D	Center Deckboard 	1
S	#8 x 1-1/4" Black Screw 	12
U	#8 x 1" Black Screw (inserted) 	16
YA	Top Assembly 	1
YB	#8 x 1-1/4" Pan Head Screw 	2
YC	Cam Connector (inserted) 	2
YD	Cam Housing 	2
ZN	#8 x 2" Black Screw (inserted) 	4
ZO	Left Bed Bracket (attached) 	2
ZP	Right Bed Bracket (attached) 	2
ZV	#8 x 1-5/8" Black Screw (inserted) 	4

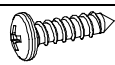
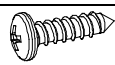


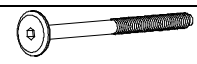
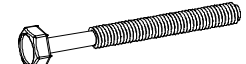
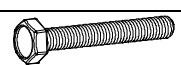

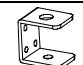

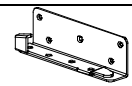
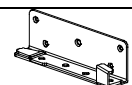
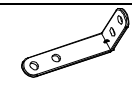
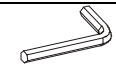
**1254LSOc 1254DAOc Prairie City Queen Mantel Storage Bed
1259LSOc 1259DAOc Prairie City King Mantel Storage Bed
1274LSO 1274DAO Prairie City Queen Mantel Bed
1277LSO 1277DAO Prairie City King Mantel Bed
Parts List**

1255LSOc 1255DAOc Pedestal Kit (x2)

Part	Description	Quantity
Ea	Pedestal 	1
F	Small Drawer Box (assembled) 	2
Ga	Large Drawer Box (assembled) 	1
H	Drawer Face (attached) 	3
I	Queen Trestle (11-9/16") 	2
J	Left/Right Center Deckboard 	1
K	Notched Deckboard (attached) 	1
L	Assembled Foot 	3
M	Long Angle Iron (attached) 	1
N	20" Drawer Slides (pre-installed sets) 	3
O	#6 x 3/4" Philtruss Screw (inserted) 	18
P	#6 x 3/4" Flat Head Screw (inserted) 	10
Q	#6 x 1/2" Philtruss Screw 	22 (18 inserted)
Ra	#8 x 7/8" Black Lo-Profile Screw (inserted) 	18
S	#8 x 1-1/4" Black Screw 	52 (48 inserted)
Tb	#8 x 1-1/2" Machine Screw Tuscan (installed) 	6
U	#8 x 1" Black Screw (inserted) 	9
V	Arched Washer (inserted) 	4
W	1/4" Flat Washer 	10 (4 inserted)
X	1/4" Lock Washer (inserted) 	4
Y	1/4" x 20mm Insert Nut (inserted) 	8


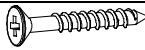


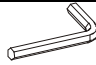



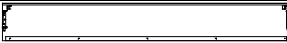

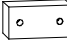



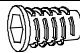

**1254LSOc 1254DAOc Prairie City Queen Mantel Storage Bed
1259LSOc 1259DAOc Prairie City King Mantel Storage Bed
1274LSO 1274DAO Prairie City Queen Mantel Bed
1277LSO 1277DAO Prairie City King Mantel Bed**

Parts List

Part	Description		Quantity
YE	#10 x 3/4" Pan Head Screw (inserted)		12
ZA	1/4" Hex Nut (inserted)		4
ZB	1/4" T-Nut (inserted)		2
ZC	1/4" x 80mm Hex Bolt		1
ZD	1/4" x 2-1/2" Hex Bolt (inserted)		4
ZE	1/4" x 1-3/4" Hex Bolt		6
ZF	Pull (attached)		3
ZH	Foot Bracket (attached)		3
ZI	Adjustable Glide (installed)		3
ZJ	Left Pedestal Angle Bracket (inserted)		1
ZK	Right Pedestal Angle Bracket (inserted)		1
ZL	90° Bracket		1
ZM	Hex Wrench		1

1254LSOc 1254DAOc Prairie City Queen Mantel Storage Bed
1259LSOc 1259DAOc Prairie City King Mantel Storage Bed
1274LSO 1274DAO Prairie City Queen Mantel Bed
1277LSO 1277DAO Prairie City King Mantel Bed
Parts List

1275LSO 1275DAO Queen Rail Kit (x1)
1278LSO 1278DAO King Rail Kit (x1)

Part	Description		Quantity
S	#8 x 1-1/4" Black Screw		10
U	#8 x 1" Black Screw (inserted)		16
ZB	1/4" T-Nut (inserted)		9
ZC	1/4" x 80mm Hex Bolt		2
ZM	Hex Wrench		1
ZN	#8 x 2" Black Screw (inserted)		22
ZO	Left Bed Bracket (attached)		2
ZP	Right Bed Bracket (attached)		2
ZQ	Side Rail		2
ZR	Slat		5
ZS	Slat Support		2
ZT	Assembled Foot		4
ZU	Adjustable Glide with Hex Nut (installed)		4
ZV	#8 x 1-5/8" Black Screw		4
ZW	5/16" x 3/4" Insert Nut (inserted)		4
ZX	1/4" x 45mm Hanger Bolt (inserted)		4

**1254LSOc 1254DAOc Prairie City Queen Mantel Storage Bed
1259LSOc 1259DAOc Prairie City King Mantel Storage Bed
1274LSO 1274DAO Prairie City Queen Mantel Bed
1277LSO 1277DAO Prairie City King Mantel Bed**

Assembly Instructions
This assembly requires two people.

Tools Required: 4mm Hex Wrench (provided), Phillips screwdriver, Slotted screwdriver, 1/2" & 7/16" open end or box end wrench and Tape measure

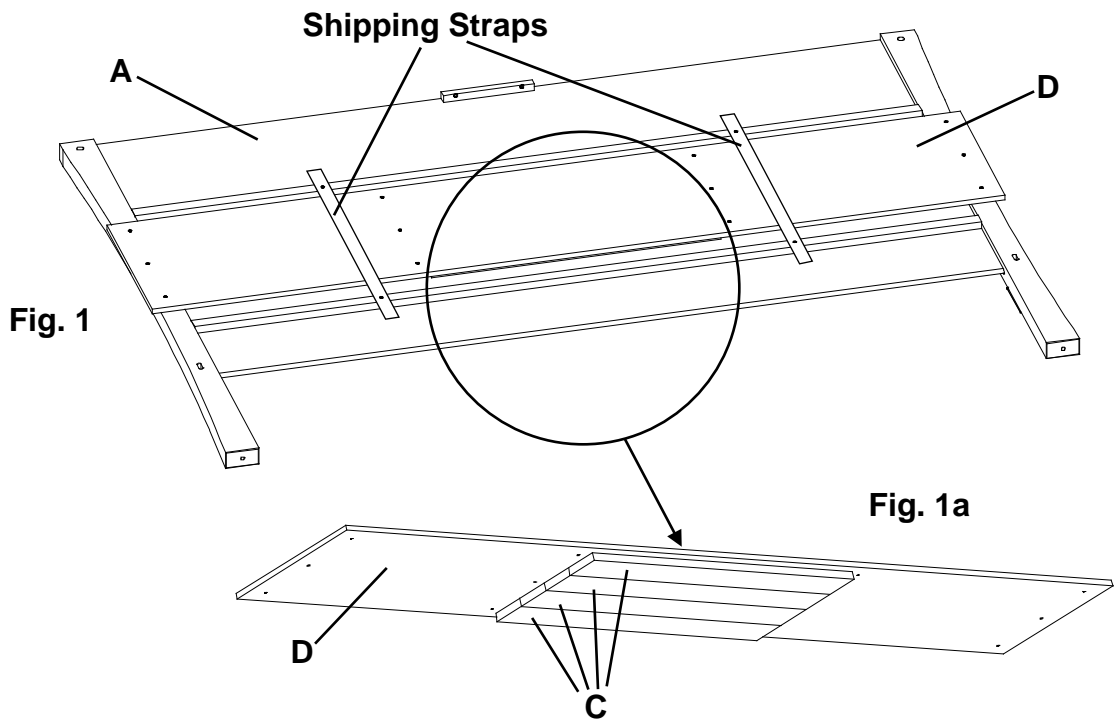
Notes:

Steps 1 through 14 are for the Prairie City Queen Mantel Storage Bed (#1254) and the Prairie City King Mantel Storage Bed (#1259).

Steps 15 through 25 are for the Prairie City Queen Mantel Bed (#1274) and the Prairie City King Mantel Bed (#1277).

Steps 1, 2 & 3 are for the Prairie City King Mantel Storage Bed (#1259)

1. Remove the Center Deckboard (D) and King Trestles (C) from the back of the Headboard (A) and place to the side. See Figure 1.

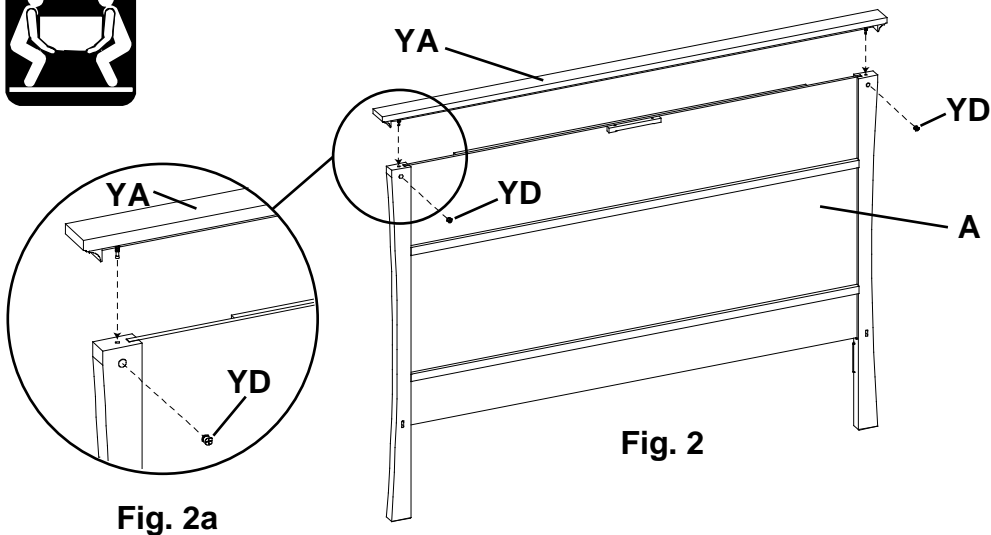


**1254LSOc 1254DAOc Prairie City Queen Mantel Storage Bed
 1259LSOc 1259DAOc Prairie City King Mantel Storage Bed
 1274LSO 1274DAO Prairie City Queen Mantel Bed
 1277LSO 1277DAO Prairie City King Mantel Bed**

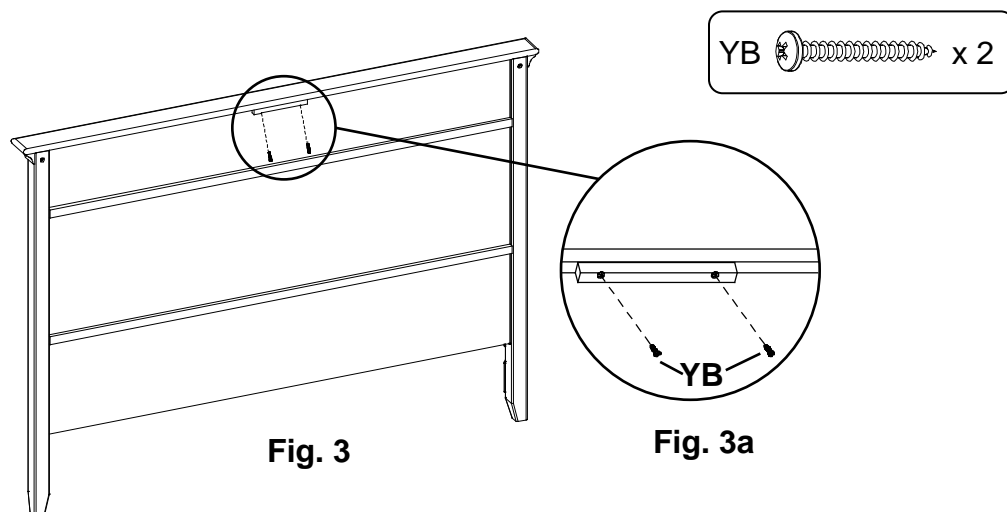
Assembly Instructions

This assembly requires two people.

2. **NOTE: READ CAM INSTRUCTIONS NOW BEFORE YOU BEGIN THE FOLLOWING STEP.** Insert Cam Housings (YD) into the two pre-drilled holes on the Headboard Assembly (A) as shown in Figure 2. Lower Top Assembly (YA) so that the Cam Connectors (YC) fit into the housings (YD) tighten the cam housings as indicated in the Cam-lock System instructions. See Figures 2 and 2a.



3. Attach the Top Assembly (YA) to the Headboard Assembly (A) by inserting two #8x1-1/4" Pan Head Screws (YB) into the predrilled holes in the block that is attached to the Headboard Assembly (A). See Figures 3 and 3a.



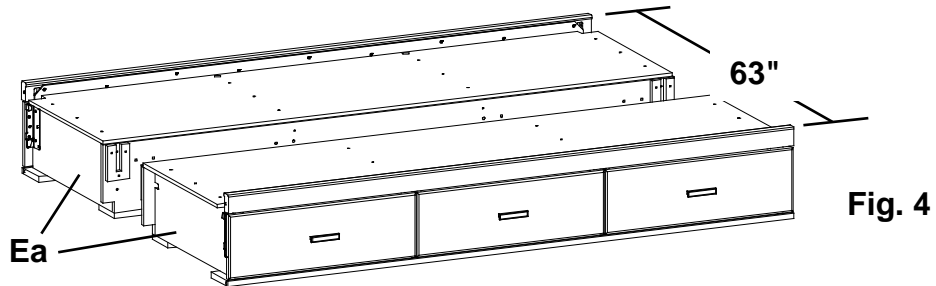
**1254LSOc 1254DAOc Prairie City Queen Mantel Storage Bed
1259LSOc 1259DAOc Prairie City King Mantel Storage Bed
1274LSO 1274DAO Prairie City Queen Mantel Bed
1277LSO 1277DAO Prairie City King Mantel Bed**

Assembly Instructions

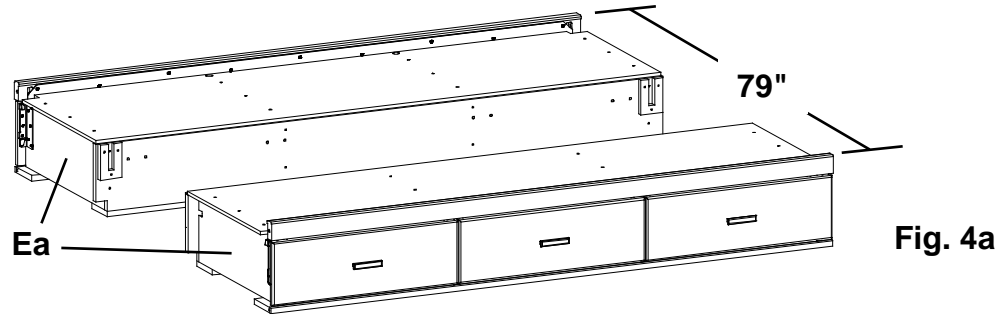
This assembly requires two people.

4. Place both Pedestals (Ea) approximately 63" apart for #1254 Queen Bed, or 79" apart for #1259 King Bed as shown in Figures 4 and 4a.

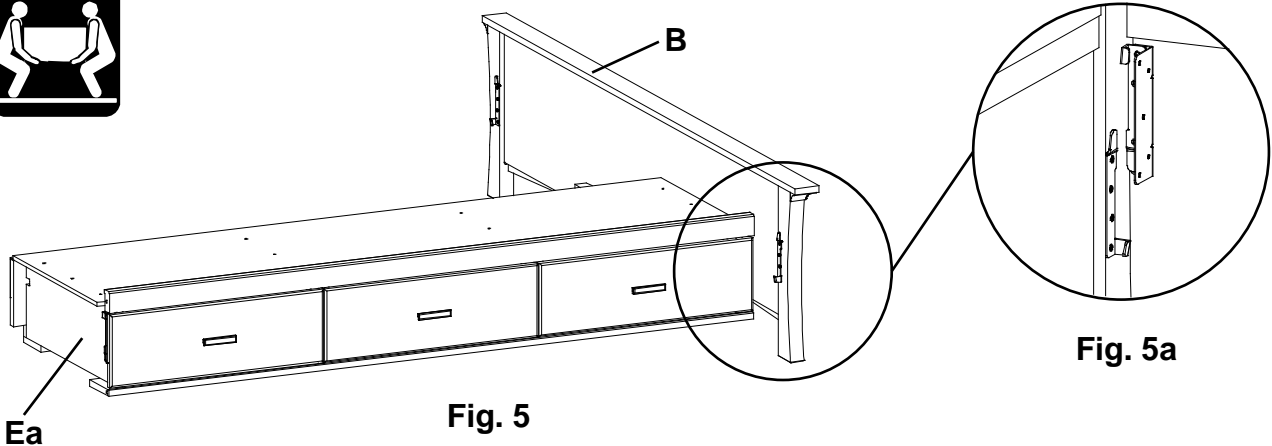
(For #1254 Queen)



(For #1259 King)



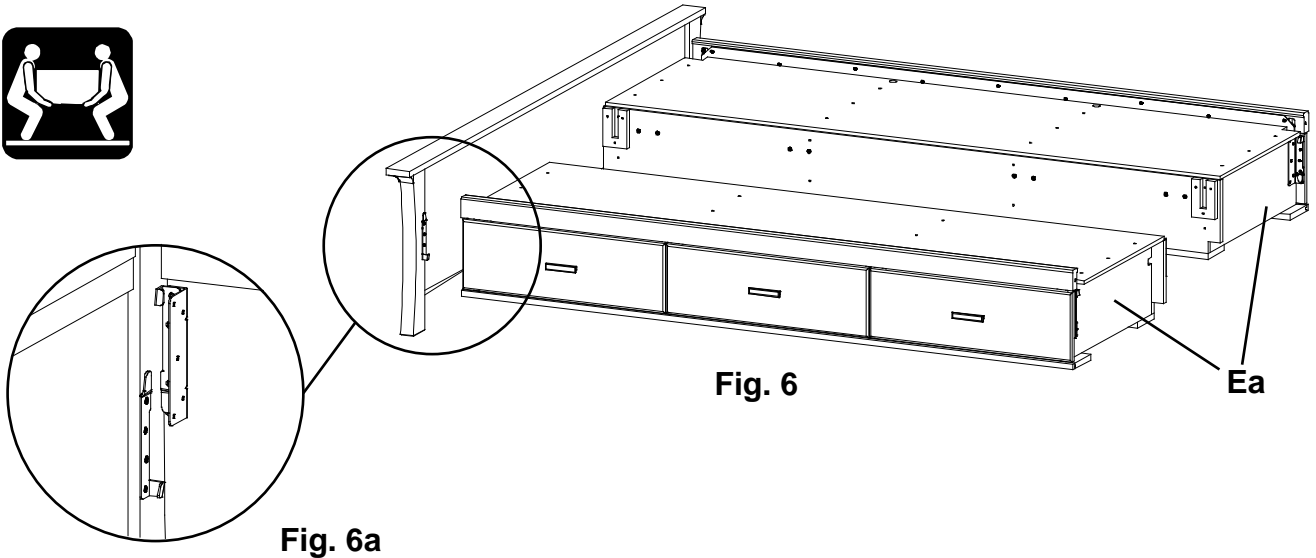
5. To attach the Footboard (B) to the Pedestal (Ea), align the Brackets and slide the Pedestal down on to the Footboard (B). See Figures 5 and 5a.



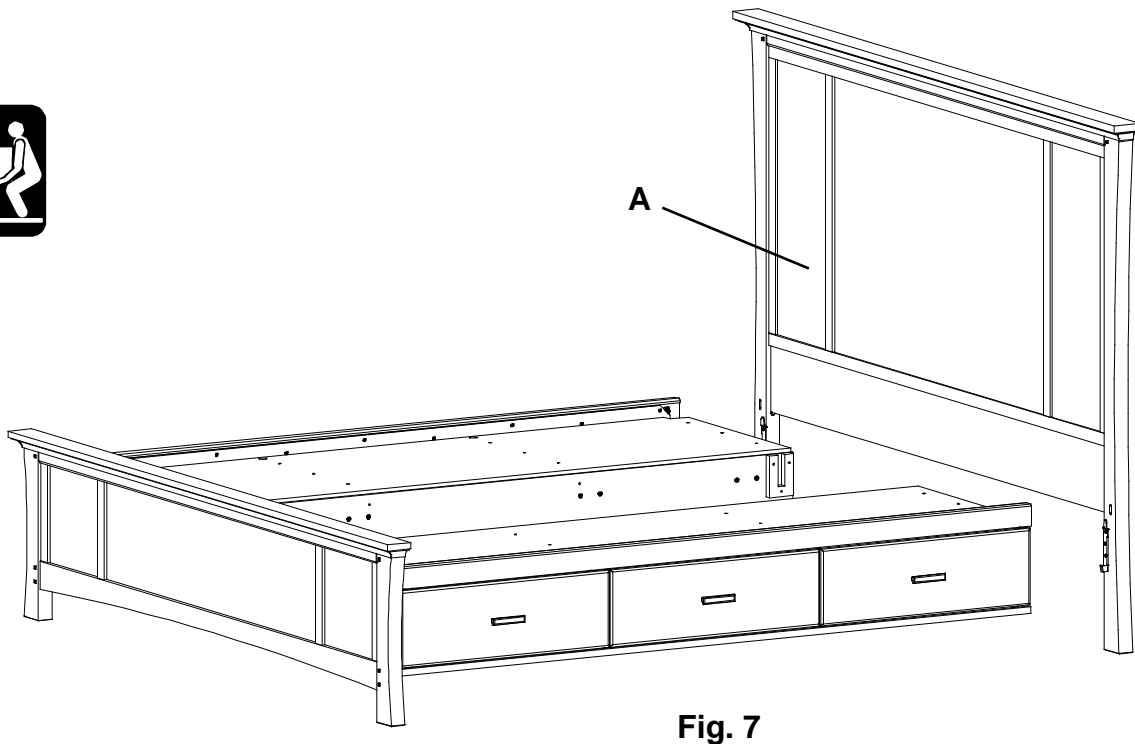
1254LSOc 1254DAOc Prairie City Queen Mantel Storage Bed
1259LSOc 1259DAOc Prairie City King Mantel Storage Bed
1274LSO 1274DAO Prairie City Queen Mantel Bed
1277LSO 1277DAO Prairie City King Mantel Bed

Assembly Instructions
This assembly requires two people.

6. Repeat step five for the other side. See Figures 6 and 6a.



7. Align the Brackets on both sides and slide the Pedestal/Footboard assembly down on to the Headboard (A). See Figure 7.



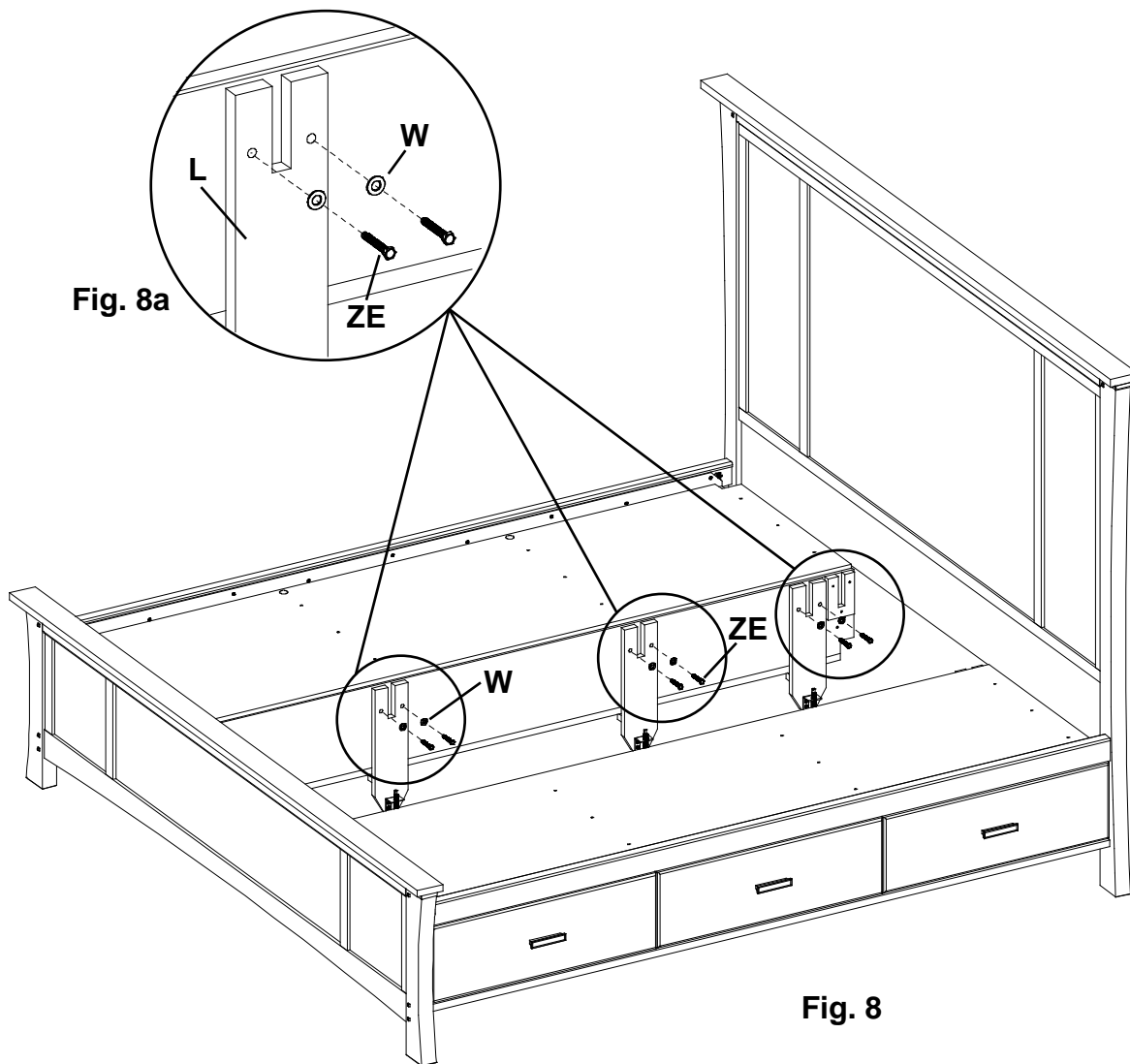
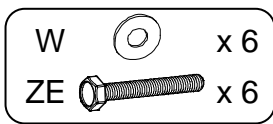
1254LSOc 1254DAOc Prairie City Queen Mantel Storage Bed
1259LSOc 1259DAOc Prairie City King Mantel Storage Bed
1274LSO 1274DAO Prairie City Queen Mantel Bed
1277LSO 1277DAO Prairie City King Mantel Bed

Assembly Instructions

This assembly requires two people.

8. **NOTE:** There are blocks mounted on the back side of the Footboard to support the end of the pedestal eliminating the need for an Assembled Foot in this position where it would be easily visible. Do not attach an Assembled Foot in the position near the footboard.

Align three Assembled Feet (L) over the insert nuts that are on the back of the Pedestal. Make sure the Adjustable Glides are on the outside face of the Pedestal. See Figures 8 and 8a. Attach to the Pedestal with 1/4" x 1-3/4" Hex Bolts (ZE) and 1/4" Flat Washers (W).



1254LSOc 1254DAOc Prairie City Queen Mantel Storage Bed
1259LSOc 1259DAOc Prairie City King Mantel Storage Bed
1274LSO 1274DAO Prairie City Queen Mantel Bed
1277LSO 1277DAO Prairie City King Mantel Bed

Assembly Instructions

This assembly requires two people.

9. Repeat by attaching three additional Assembled Feet (L) to the other Pedestal with 1/4" x 1-3/4" Hex Bolts (ZE) and 1/4" Flat Washers (W). See Figures 9 and 9a. Using a 1/2" wrench or Slotted screwdriver adjust the Adjustable Glides (ZI) on the bottoms of the Assembled Feet (L) so that the top surfaces of both Pedestal decks are 16" from the floor.

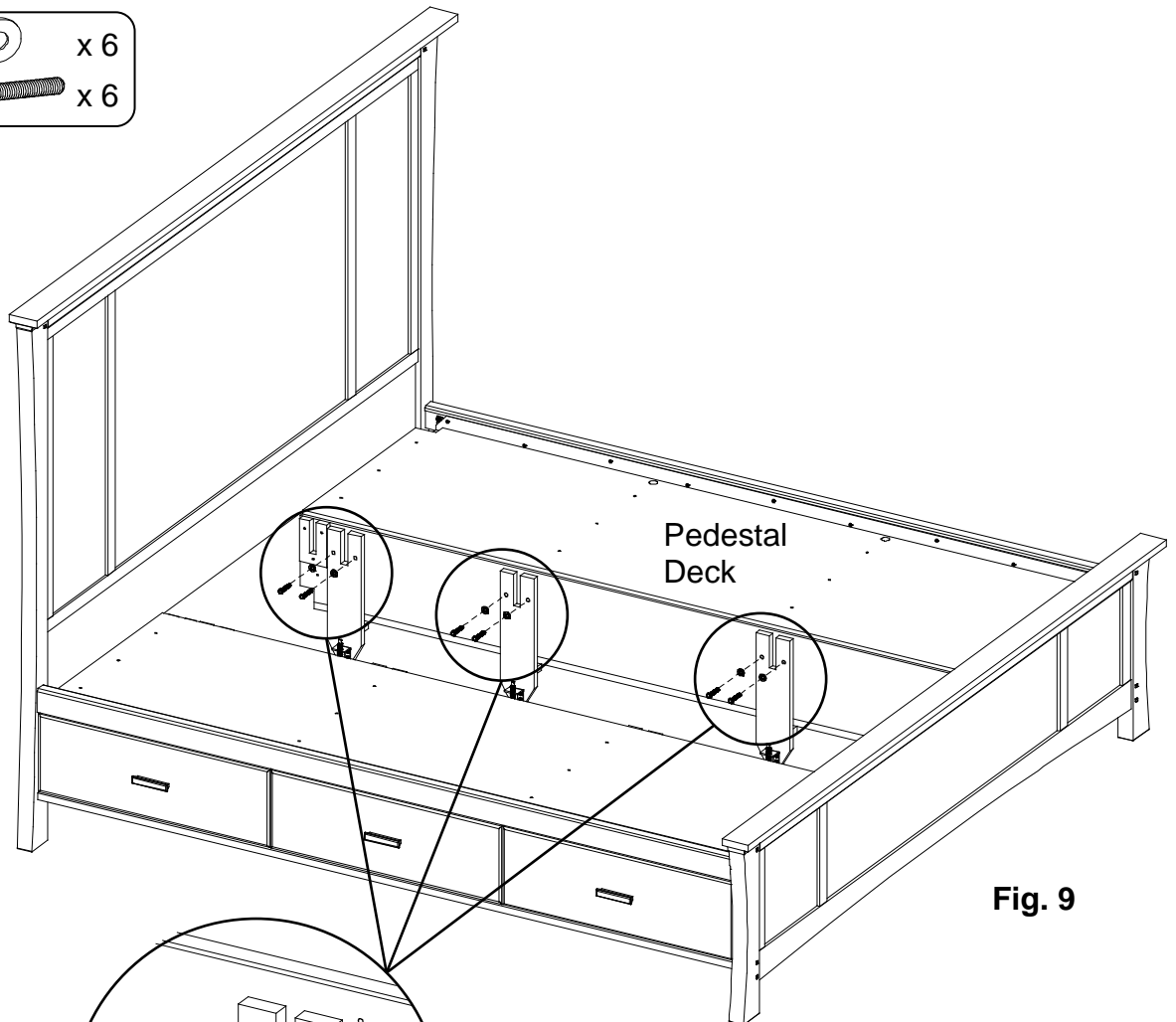
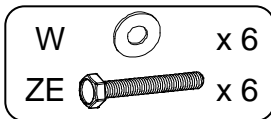


Fig. 9

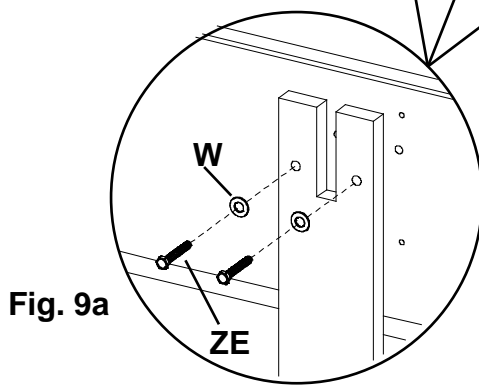


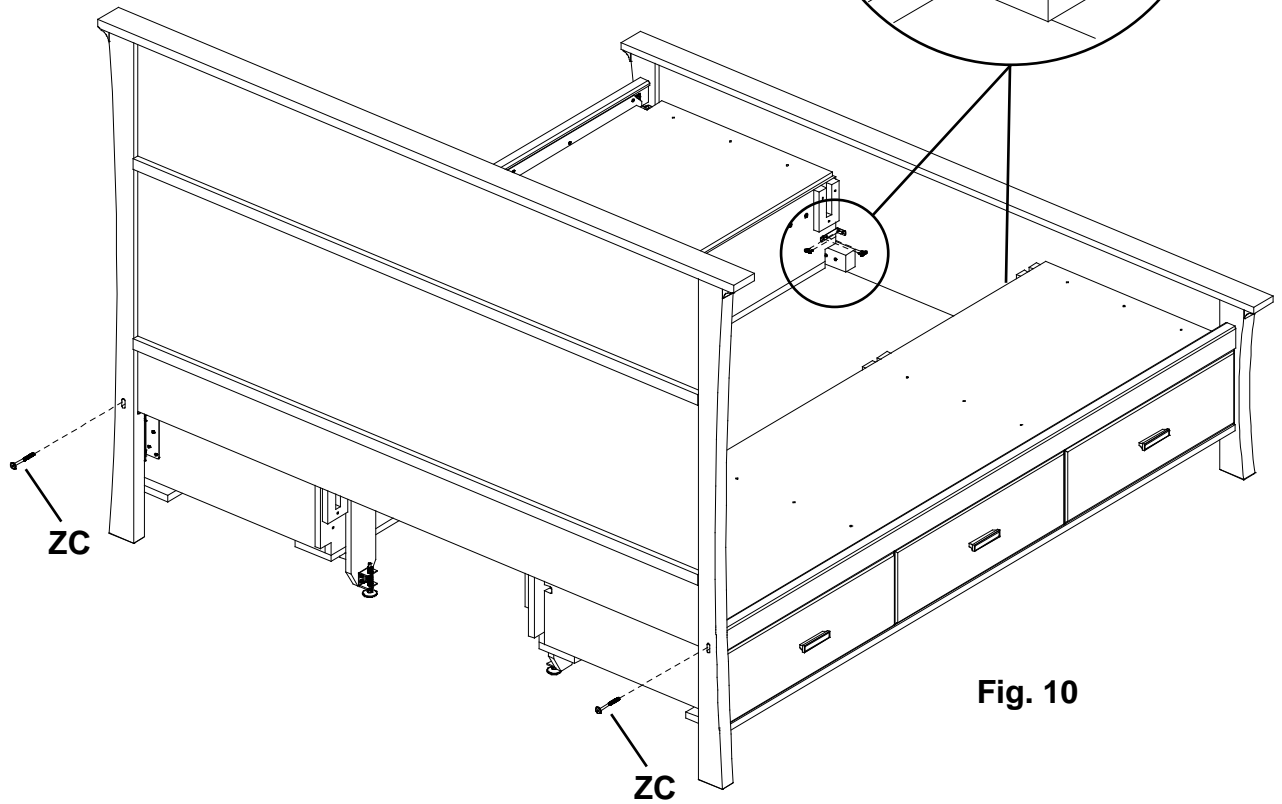
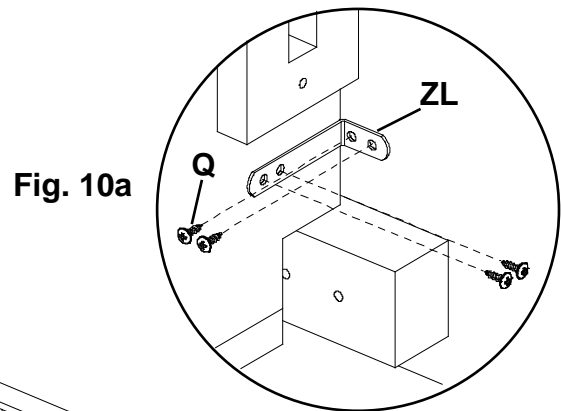
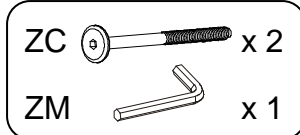
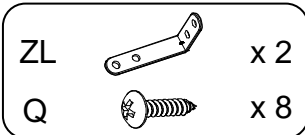
Fig. 9a

1254LSOc 1254DAOc Prairie City Queen Mantel Storage Bed
1259LSOc 1259DAOc Prairie City King Mantel Storage Bed
1274LSO 1274DAO Prairie City Queen Mantel Bed
1277LSO 1277DAO Prairie City King Mantel Bed

Assembly Instructions

This assembly requires two people.

10. Facing the Footboard, attach the Pedestal Assembly to the Footboard with a 90° Bracket (ZL) and four #6 x 1/2" Philtruss Screws (Q). Repeat for the other side. See Figures 10 and 10a. Using the Hex Wrench (ZM), attach the Headboard to the Pedestals with two 1/4" x 80mm Hex Bolts (ZC). See Figure 10.



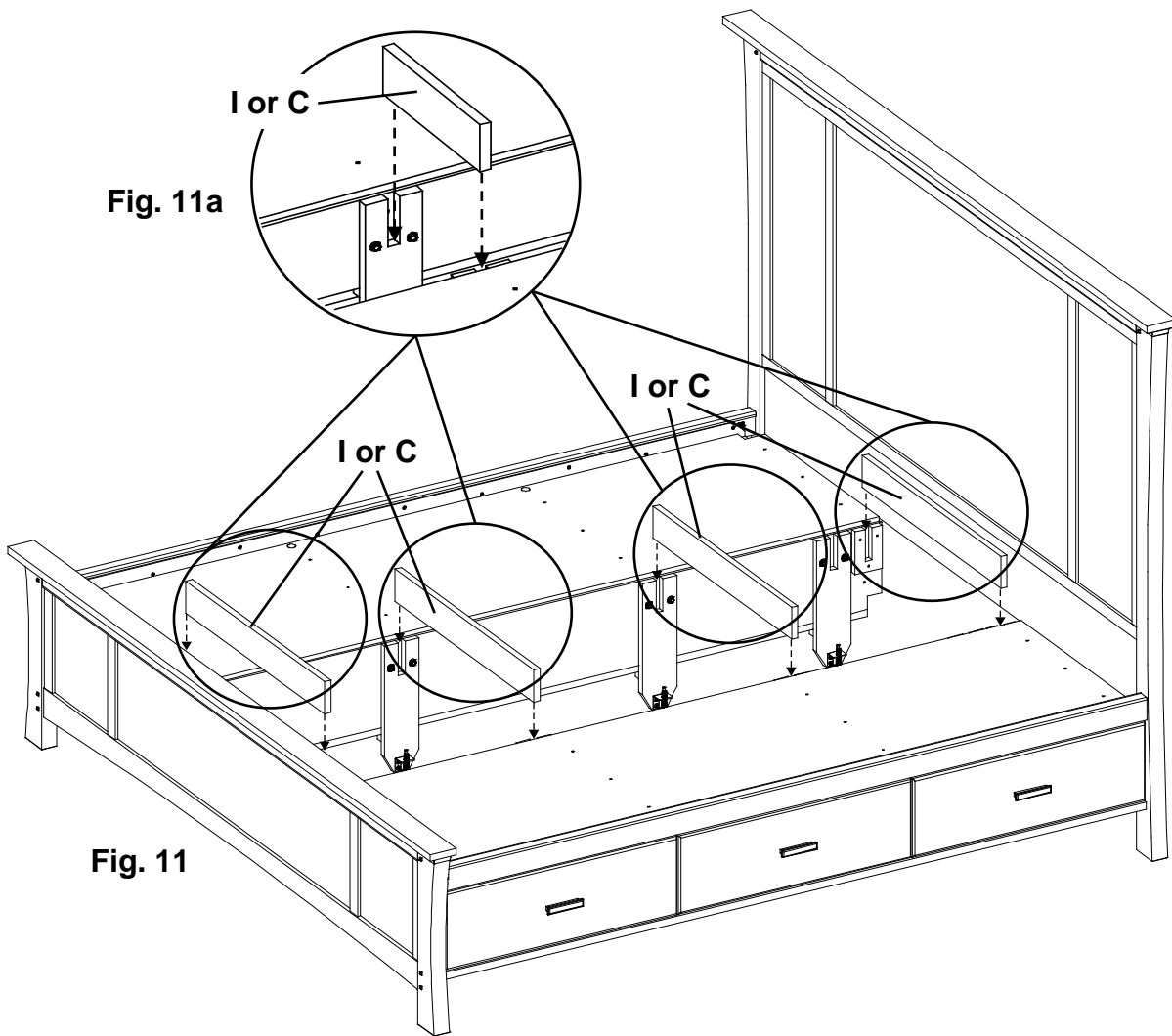
1254LSOc 1254DAOc Prairie City Queen Mantel Storage Bed
1259LSOc 1259DAOc Prairie City King Mantel Storage Bed
1274LSO 1274DAO Prairie City Queen Mantel Bed
1277LSO 1277DAO Prairie City King Mantel Bed

Assembly Instructions

This assembly requires two people.

11. Move the bed assembly to its final position; if necessary readjust the glides at the bottom of the Assembled Feet so that all are touching the floor and support weight. Place the four Queen Trestles (I) or King Trestles (C) into the bed assembly as shown in Figures 11 and 11a. If you have purchased a 1259 King storage bed Recycle/discard the Queen bed trestles that were include with your pedestals.

IMPORTANT: the center two trestles nest into the notches at the top of the Assembled Feet, the trestles at each end must nest into the notches in the cleats which are attached closer to the ends of the Pedestals.



1254LSOc 1254DAOc Prairie City Queen Mantel Storage Bed
1259LSOc 1259DAOc Prairie City King Mantel Storage Bed
1274LSO 1274DAO Prairie City Queen Mantel Bed
1277LSO 1277DAO Prairie City King Mantel Bed

Assembly Instructions

This assembly requires two people.

12. To make sure the bed is square, measure the distance between opposing corners. If one of the measurements is larger, tap on a footboard leg until the measurement is equal. See Figure 12.

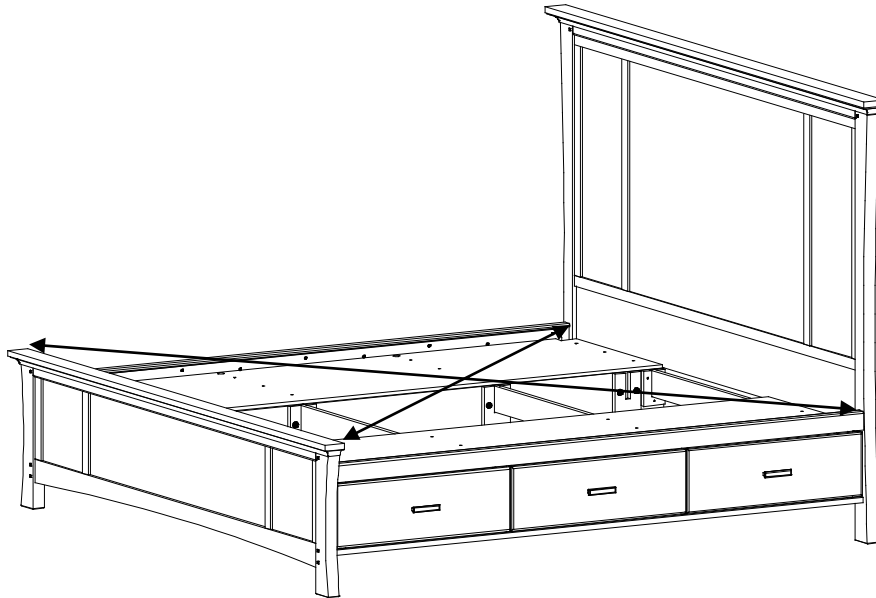


Fig. 12

13. Place the Left/Right Center Deckboards (J) as shown in Figure 13 and secure with eight #8x1-1/4" Black Screws (S). There should be a small gap between each deckboard.

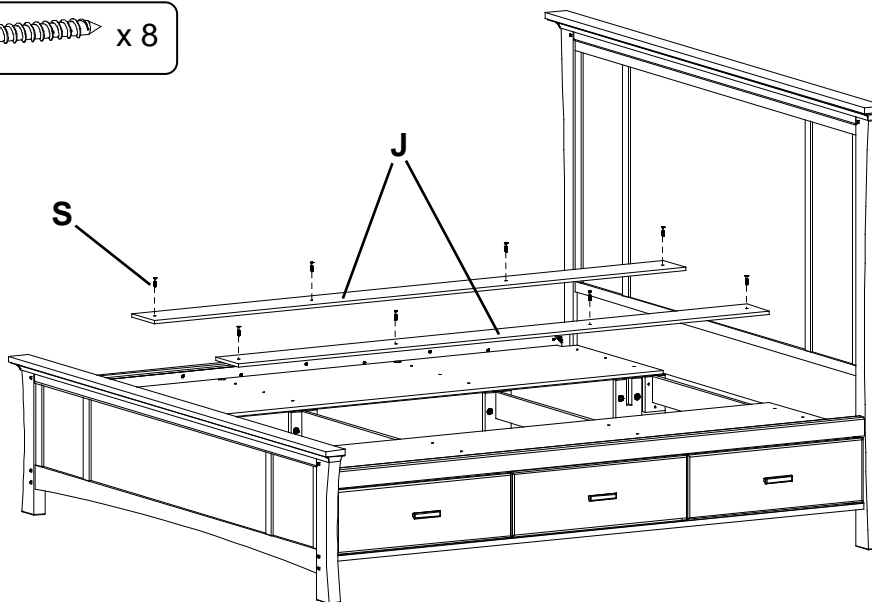
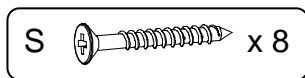


Fig. 13

1254LSOc 1254DAOc Prairie City Queen Mantel Storage Bed
1259LSOc 1259DAOc Prairie City King Mantel Storage Bed
1274LSO 1274DAO Prairie City Queen Mantel Bed
1277LSO 1277DAO Prairie City King Mantel Bed

Assembly Instructions

This assembly requires two people.

Step 14 is for the Prairie King Mantel Storage Bed (#1259)

14. Place the Center Deckboard (D) as shown in Figure 14 and secure with twelve #8 x 1-1/4" Black Screws (S). If you need to adjust the Assembled Feet, remove the Center Deckboard, adjust the glides and reattach the deckboard.

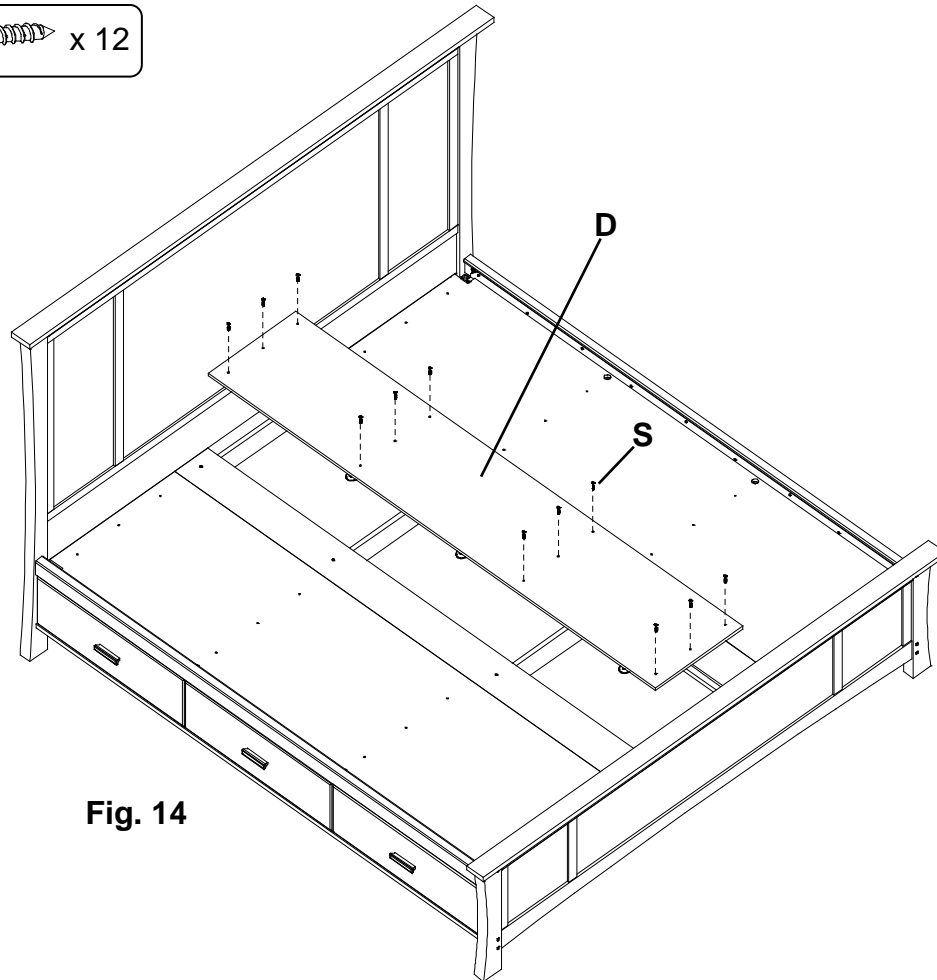
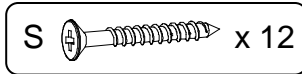


Fig. 14

This concludes the assembly process for Prairie City Storage Bed, if you have purchased a Prairie City Rail Bed please refer to the instructions beginning on page 17.

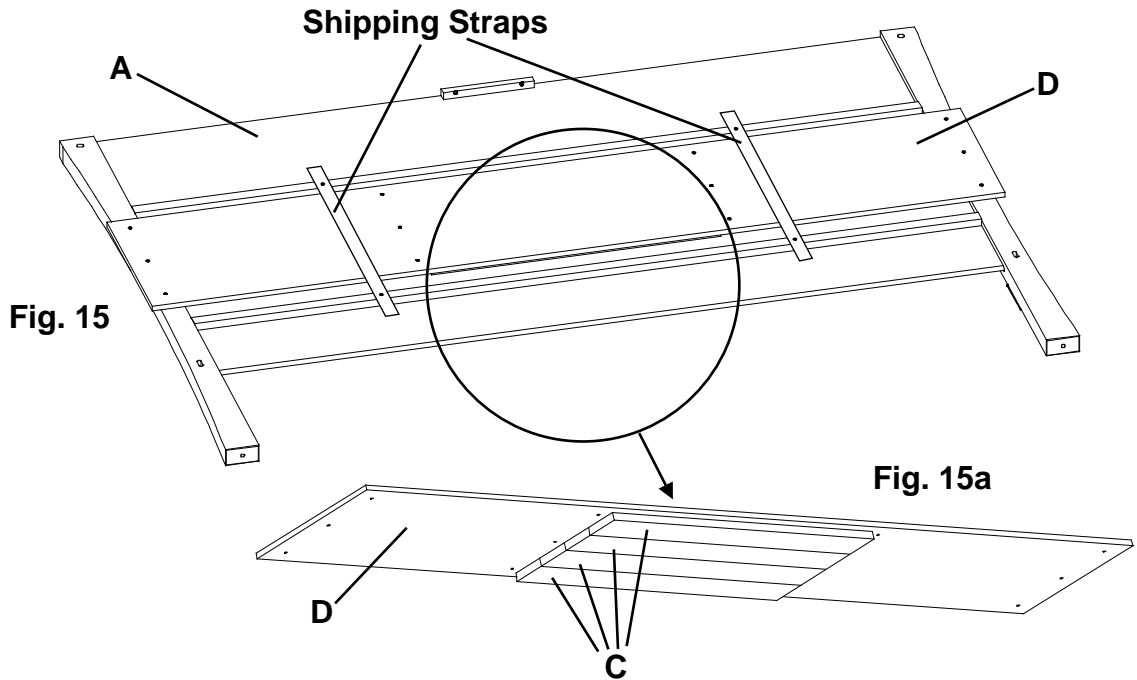
**1254LSOc 1254DAOc Prairie City Queen Mantel Storage Bed
 1259LSOc 1259DAOc Prairie City King Mantel Storage Bed
 1274LSO 1274DAO Prairie City Queen Mantel Bed
 1277LSO 1277DAO Prairie City King Mantel Bed**

Assembly Instructions

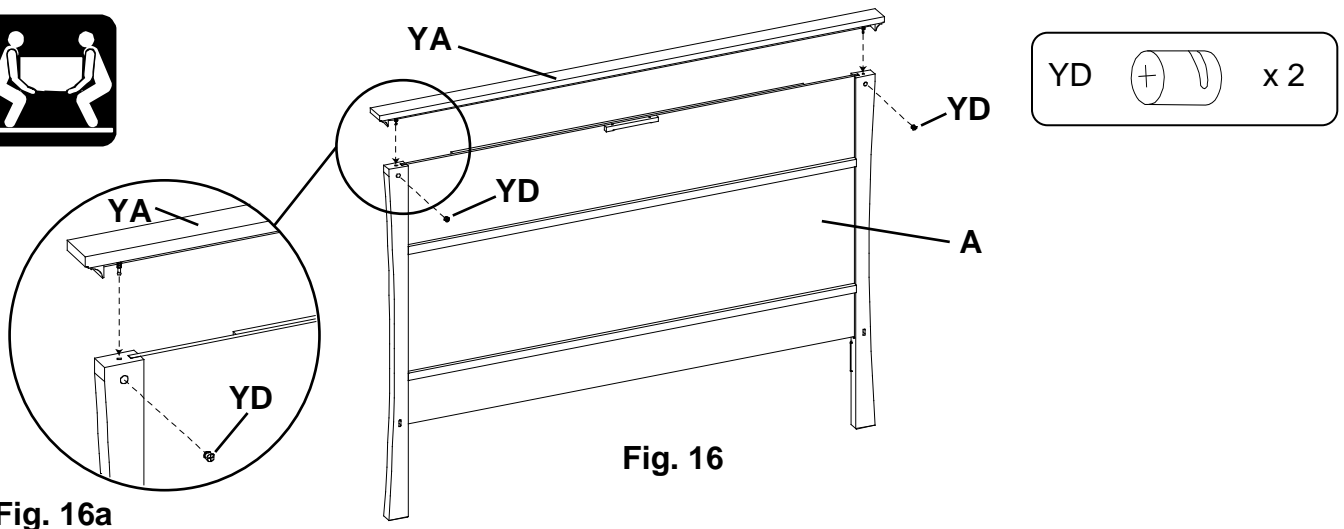
This assembly requires two people.

Step 15, 16 & 17 are for the 1277 Prairie City King Mantel Bed only.

15. Your 1261 Headboard/Footboard kit contains a Center Deckboard (D) and King Trestles (C) that are used for a storage bed option; remove these parts from the back of the Headboard (A) and discard or recycle them. See Figure 15.



16. **NOTE: READ CAM INSTRUCTIONS NOW BEFORE YOU BEGIN THE FOLLOWING STEP.** Insert Cam Housings (YD) into the two pre-drilled holes on the Headboard Assembly (A) as shown in Figure 16. Lower Top Assembly (YA) so that the Cam Connectors (YC) fit into the housings (YD) tighten the cam housings as indicated in the Cam-lock System instructions. See Figures 16 and 16a.

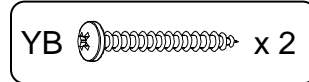
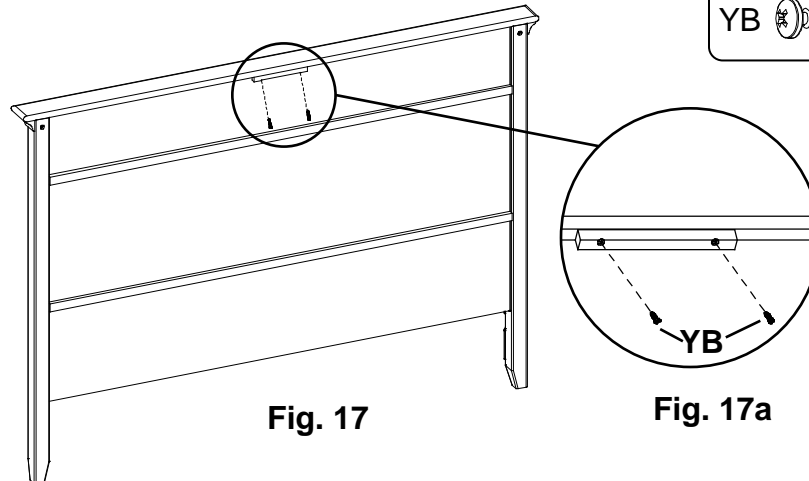


1254LSOc 1254DAOc Prairie City Queen Mantel Storage Bed
1259LSOc 1259DAOc Prairie City King Mantel Storage Bed
1274LSO 1274DAO Prairie City Queen Mantel Bed
1277LSO 1277DAO Prairie City King Mantel Bed

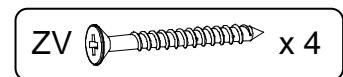
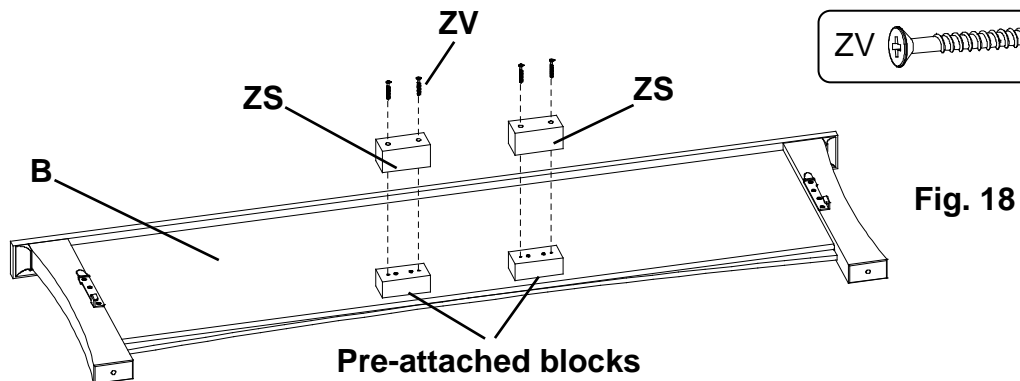
Assembly Instructions

This assembly requires two people.

17. Attach the Top Assembly (YA) to the Headboard Assembly (A) by inserting two #8x1-1/4" Pan Head Screws (YB) into the predrilled holes in the block that is attached to the Headboard Assembly (A). See Figures 17 and 17a.



18. Position the two Slat Support (ZS) over the blocks that are mounted onto back side of the Footboard (B) and attach with four #8 x 1-5/8" Black Screws (ZV) through the predrilled holes in the slat supports and into the location punches on the blocks. See Figure 18.



**1254LSOc 1254DAOc Prairie City Queen Mantel Storage Bed
1259LSOc 1259DAOc Prairie City King Mantel Storage Bed
1274LSO 1274DAO Prairie City Queen Mantel Bed
1277LSO 1277DAO Prairie City King Mantel Bed**

Assembly Instructions

This assembly requires two people.

19. To attach the Footboard (B) to the Side Rail (ZQ), align the Brackets and slide the Side Rail down on to the Footboard (B). See Figures 19 and 19a.

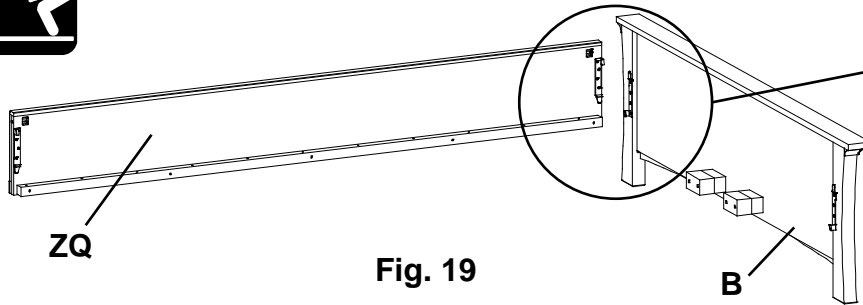


Fig. 19

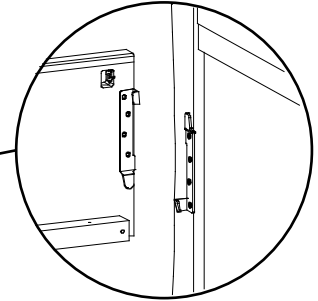


Fig. 19a

20. Repeat step nineteen for the other side. See Figures 20 and 20a.

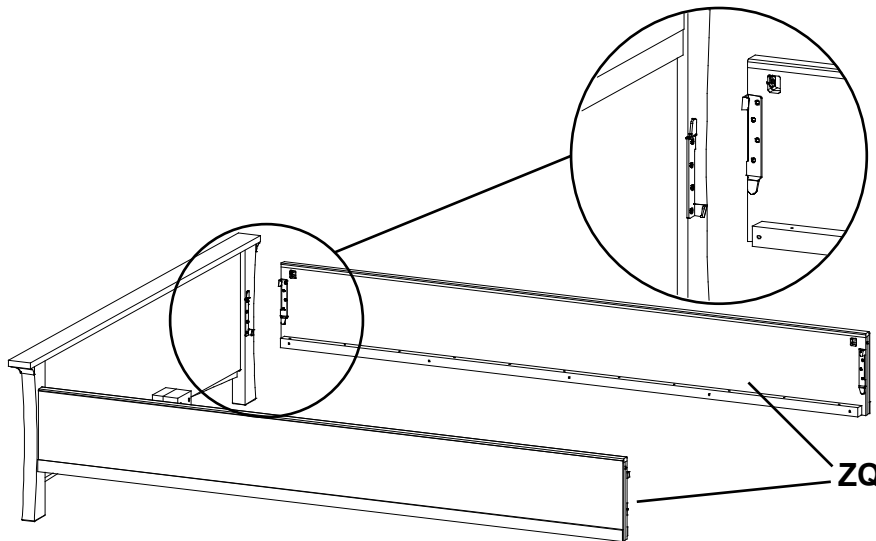


Fig. 20

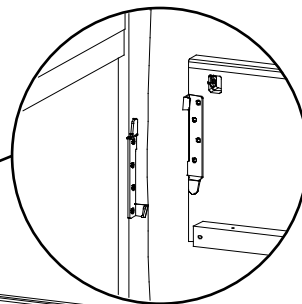


Fig. 20a

1254LSOc 1254DAOc Prairie City Queen Mantel Storage Bed
1259LSOc 1259DAOc Prairie City King Mantel Storage Bed
1274LSO 1274DAO Prairie City Queen Mantel Bed
1277LSO 1277DAO Prairie City King Mantel Bed

Assembly Instructions
This assembly requires two people.

21. Align the Brackets on both sides and slide the Side Rail/Footboard assembly down on to the Headboard (A). See Figure 21.

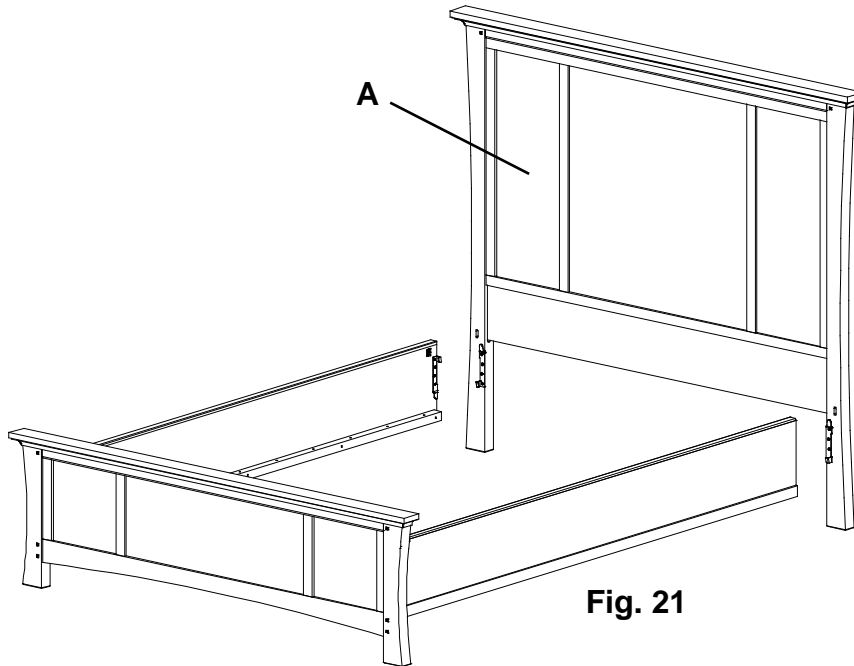


Fig. 21

22. Using the Hex Wrench (ZM), attach the Headboard to the Side Rails with two 1/4" x 80mm Hex Bolts (ZC). See Figure 22.

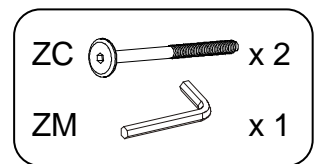
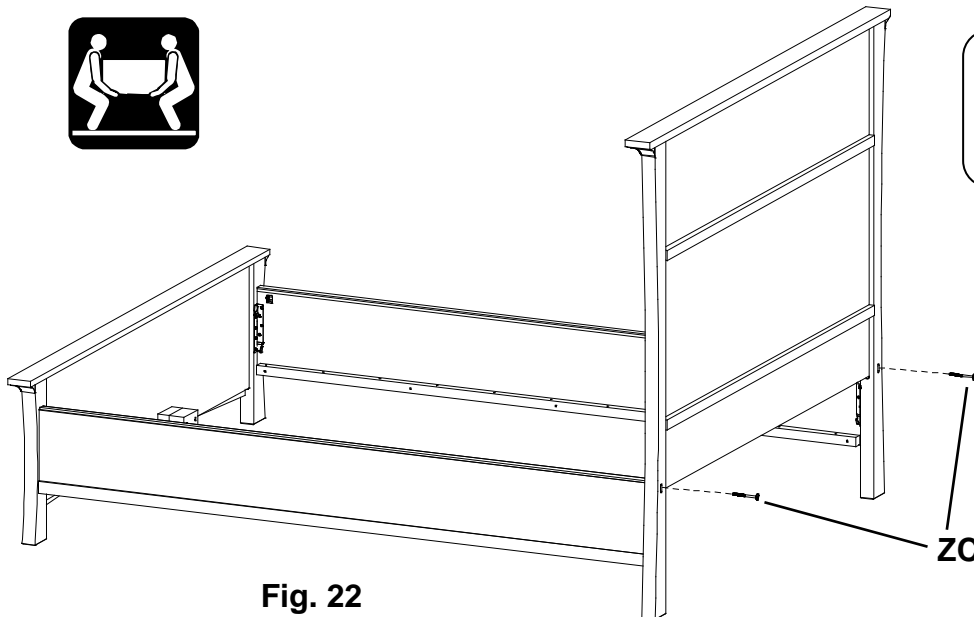


Fig. 22

1254LSOc 1254DAOc Prairie City Queen Mantel Storage Bed
1259LSOc 1259DAOc Prairie City King Mantel Storage Bed
1274LSO 1274DAO Prairie City Queen Mantel Bed
1277LSO 1277DAO Prairie City King Mantel Bed

Assembly Instructions
This assembly requires two people.

23. Attach an Assembled Foot (ZT) to four of the five Slats (ZR) as shown in Figure 23.

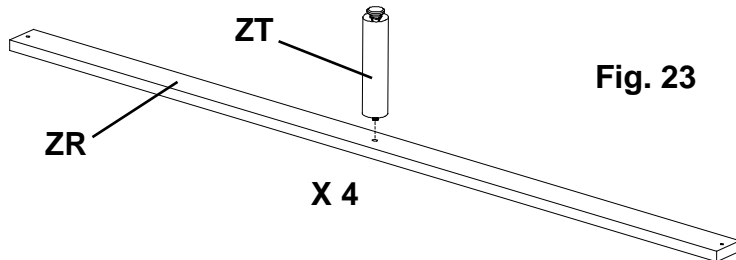


Fig. 23

24. Move the bed assembly to its final position. Position the Slats (ZR) on the bottom edges of the rails and place the slat without the Assembled Foot nearest to the Footboard. Attach with #8 x 1-1/4" Black Screws (S). See Figure 24.

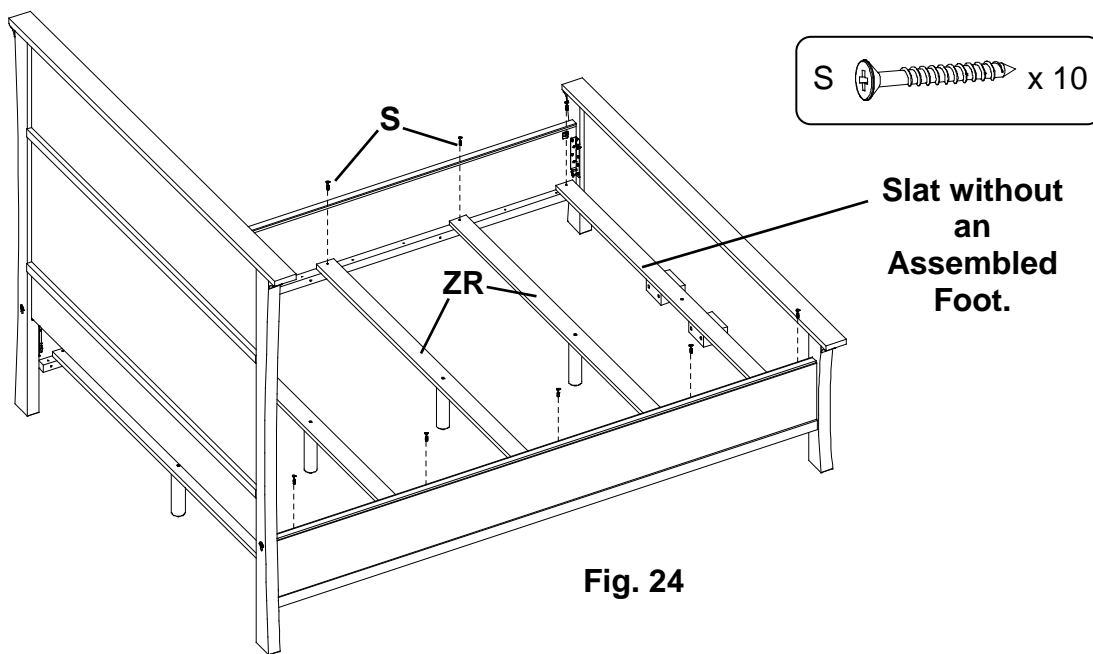


Fig. 24

25. Adjust the Adjustable Glides with Hex Nut (ZU) on the Assembled Feet (ZT) so the Glides just touch the floor, making sure the Assembled Feet bear weight.

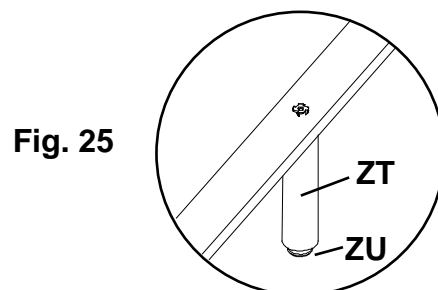
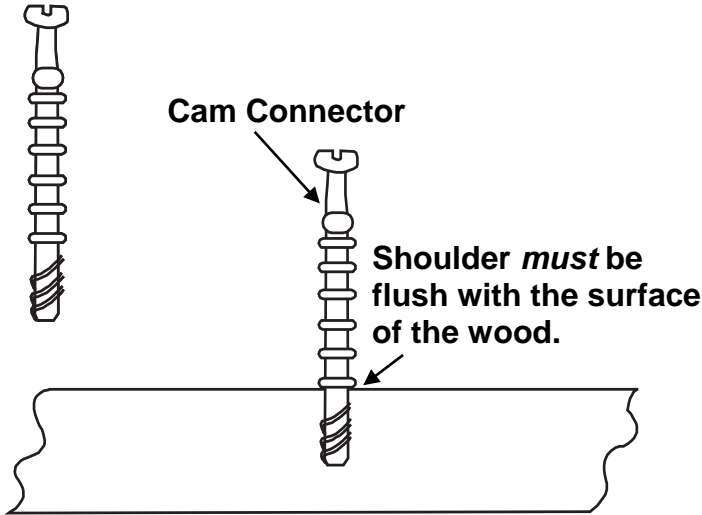


Fig. 25

CAM - LOCK SYSTEM INSTRUCTIONS

NOTE: To avoid scratching the surface of the wood, assemble the unit and place face-down on a clean, protected surface.



DO NOT embed the shoulder into the wood!

1. Insert the Cam Housing so the arrow faces the Cam Connector. To achieve tension and holding power, you **MUST TURN** the Cam Housing clockwise at **LEAST 1/4 turn** to the 9:00 position. Turning the Cam Housing between 1/4 and 1/2 turn should be enough to ensure rigid tension. Tension should be initiated as soon as 10:00. You should receive optimum tightness at 11:00. IF this does not occur, tighten or loosen the Cam Connector to achieve proper tension.

2. You may need extra tension if:

- A. The Cam Connector was screwed in deeper or not as deep as it should.
- B. If the furniture is repeatedly assembled and disassembled.
- C. If you place a heavy load in the unit.

To achieve extra tension, tighten the Cam Connector between the 11:00 and 12:00 positions.

